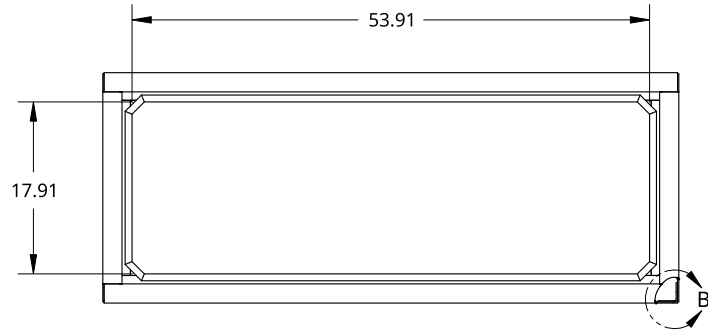


B

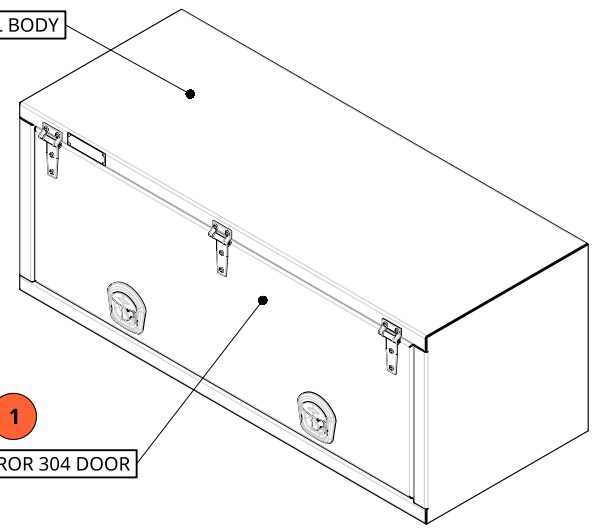


INNER REINFORCEMENT ANGLE BOTH SIDES

DETAIL B SCALE 1:6

1

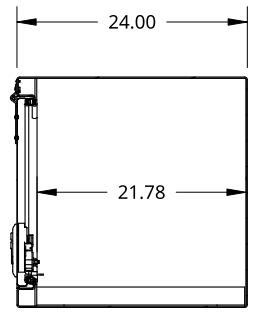
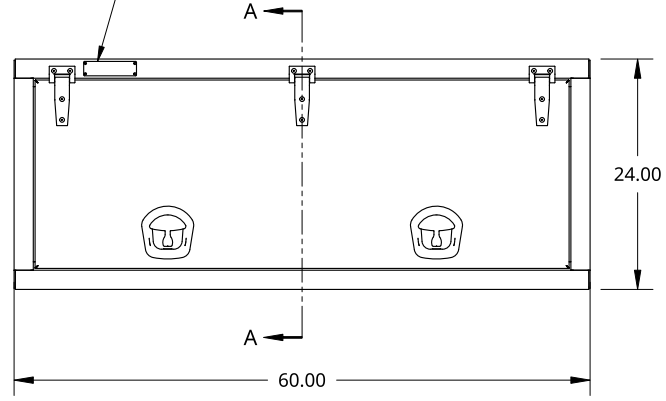
2 1/8 ALU MILL BODY



1 18G SS MIRROR 304 DOOR

B

SMALL SIZE TREBOR NAME PLATE



SECTION A - A

A

A

THIS DOCUMENT IS THE PROPERTY OF TREBOR MANUFACTURING. ANY UNAUTHORIZED REPRODUCTION WILL BE PROSECUTED TO THE FULL EXTENT OF THE LAW

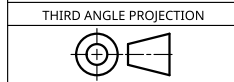


PART NO. TRIDPLSS2460WTU REV. A

UNLESS OTHERWISE SPECIFIED, DIMENSIONS ARE IN INCHES
.XX = ±.1-
.XXX = ±.015- ANGULAR = ±1°
.XXXX = ±.005- FRACTIONAL = ±1/8

DRAWN BY	SHAWN CROCKER	06/09/2023
CHANGED BY	SHAWN CROCKER	06/09/2023

ONE DOOR RECESSED DOOR TOOL BOX - 24 X 24 X 60 - X2 WHALE TAILS, 18G SS MIRROR DOOR - X3 HINGES - OPEN UP



MATERIAL MIXED MATERIAL

SIZE A DWG. NO. D31139 REV. A

SCALE 1:20	WEIGHT 97.42 LB	SHEET 1 of 1
------------	-----------------	--------------

2

1