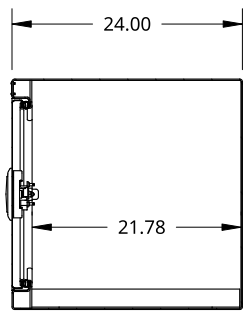
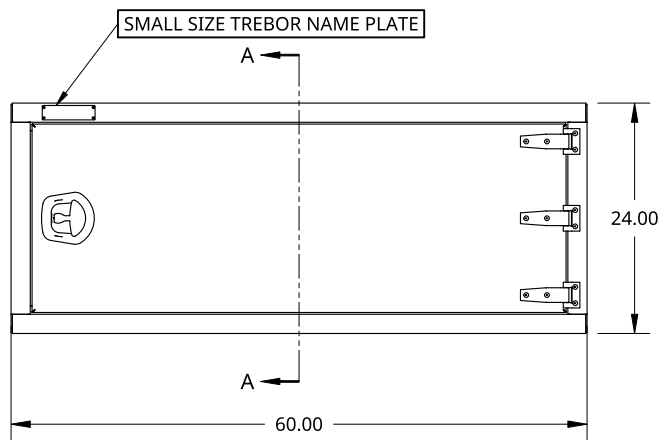
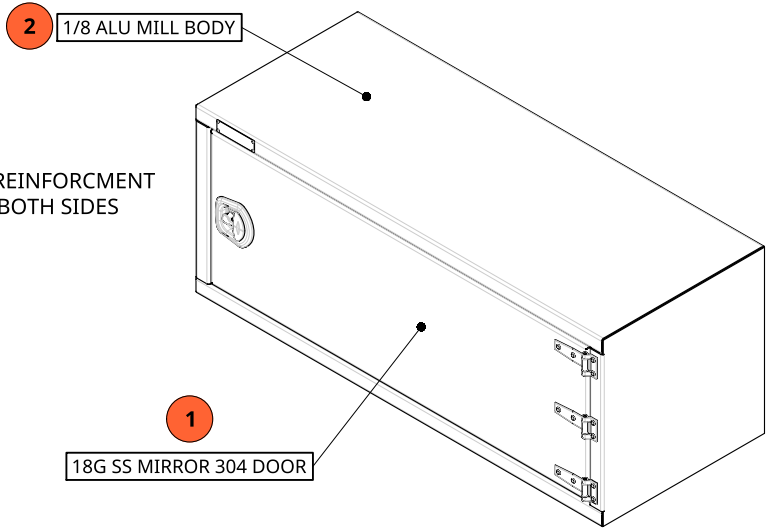
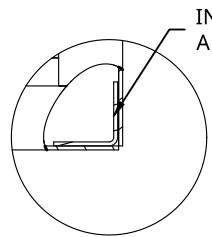
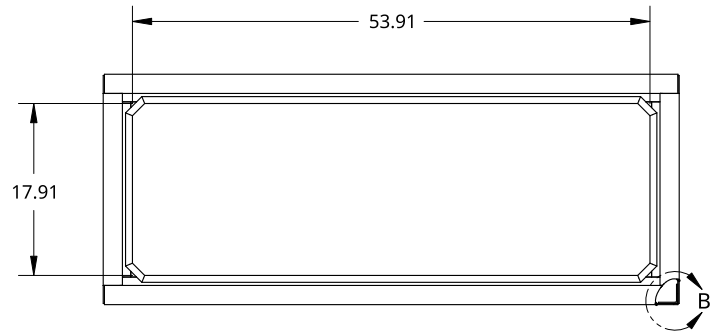


2

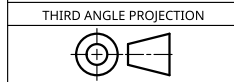
1



SECTION A - A

THIS DOCUMENT IS THE PROPERTY OF TREBOR MANUFACTURING. ANY UNAUTHORIZED REPRODUCTION WILL BE PROSECUTED TO THE FULL EXTENT OF THE LAW

UNLESS OTHERWISE SPECIFIED, DIMENSIONS ARE IN INCHES  
 .XX = ±.1-  
 .XXX = ±.015-  
 .XXXX = ±.005-  
 ANGULAR = ±1°  
 FRACTIONAL = ±1/8



DRAWN BY	SHAWN CROCKER	08/03/2021
CHANGED BY	SHAWN CROCKER	06/22/2023

MATERIAL  
MIXED MATERIAL

PART NO. TRIDPLSS2460WTR REV. A

ONE DOOR RECESSED DOOR TOOL BOX - 24 X 24 X 60 - X1 WHALE TAIL, 18G SS MIRROR DOOR - X3 HINGES - OPEN RIGHT

SIZE A DWG. NO. D31822 REV. A

SCALE 1:20 WEIGHT 97.6 LB SHEET 1 of 1

2

1

B

B

A

A