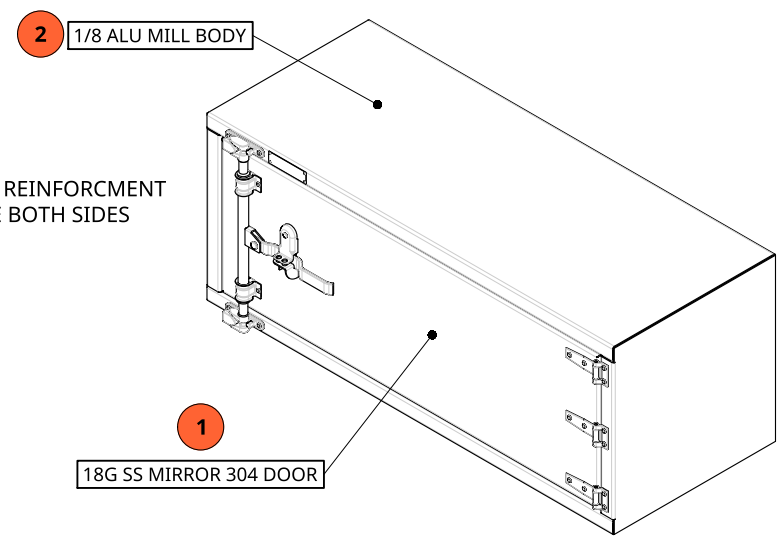
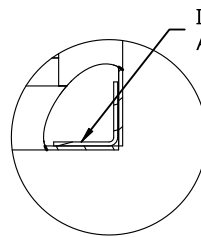
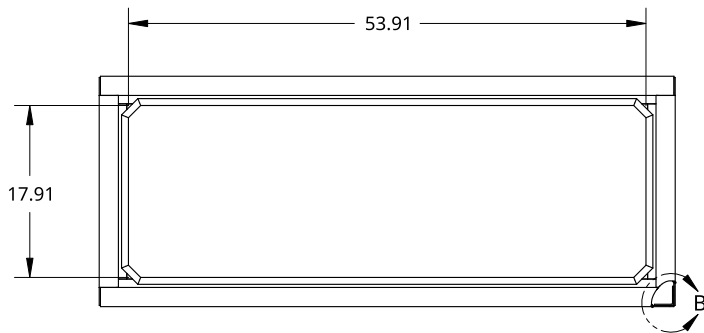


2

1

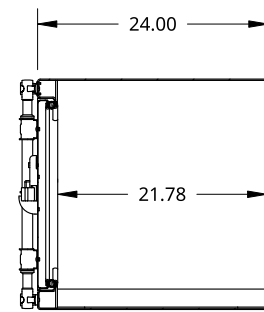
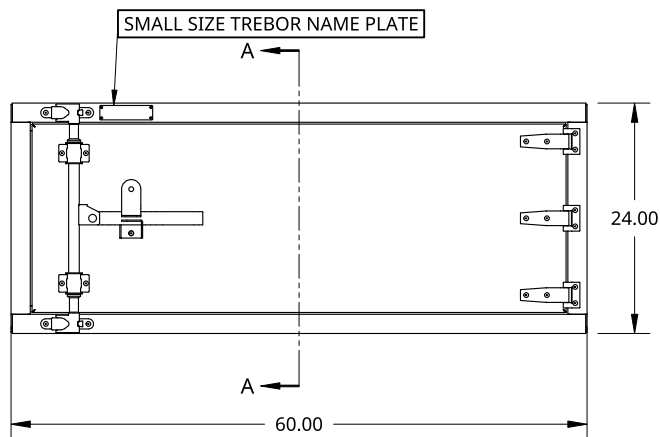
B

B



A

A



THIS DOCUMENT IS THE PROPERTY OF TREBOR MANUFACTURING. ANY UNAUTHORIZED REPRODUCTION WILL BE PROSECUTED TO THE FULL EXTENT OF THE LAW

UNLESS OTHERWISE SPECIFIED, DIMENSIONS ARE IN INCHES

.XX = ±.1-
.XXX = ±.015- ANGULAR = ±1°
.XXXX = ±.005- FRACTIONAL = ±1/8

THIRD ANGLE PROJECTION



DRAWN BY	SHAWN CROCKER	08/03/2021
CHANGED BY	SHAWN CROCKER	07/07/2023

MATERIAL
MIXED MATERIAL

PART NO. TRIDPLSS2460PR REV. A

ONE DOOR RECESSED DOOR TOOL BOX - 24 X 24 X 60 - COMPRESSION LOCK, 18G SS MIRROR DOOR - X3 HINGES - OPEN RIGHT

SIZE A DWG. NO. D32986 REV. A

SCALE 1:20	WEIGHT 108.91 LB	SHEET 1 of 1
------------	------------------	--------------

2

1