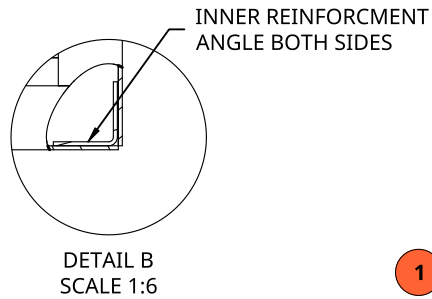
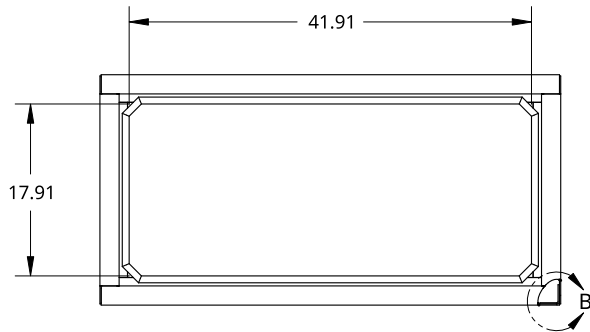
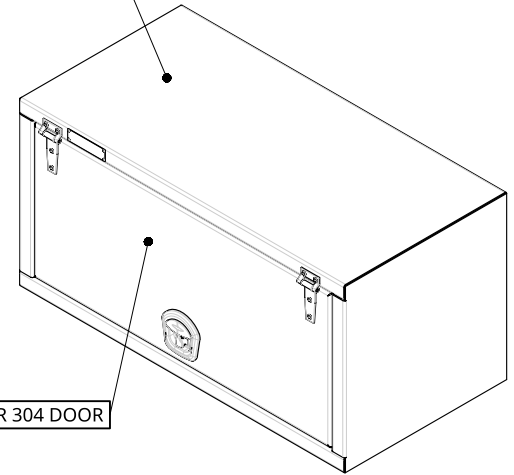


2

1

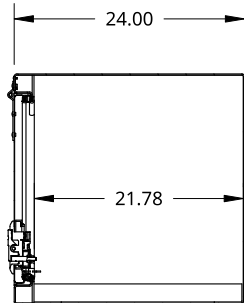
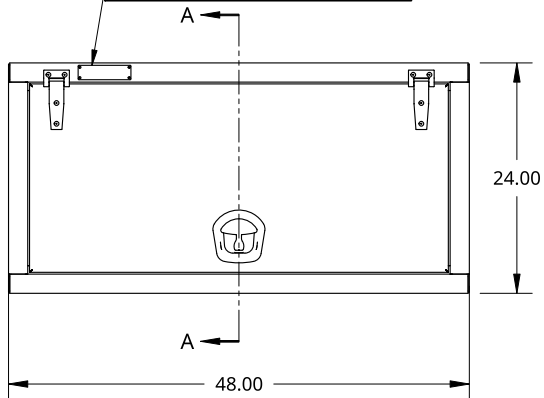


2 1/8 ALU MILL BODY



1 18G SS MIRROR 304 DOOR

SMALL SIZE TREBOR NAME PLATE



SECTION A - A

B

B

A

A

THIS DOCUMENT IS THE PROPERTY OF TREBOR MANUFACTURING. ANY UNAUTHORIZED REPRODUCTION WILL BE PROSECUTED TO THE FULL EXTENT OF THE LAW

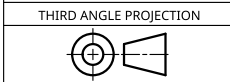


PART NO. TRIDPLSS2448WTU REV. A

UNLESS OTHERWISE SPECIFIED, DIMENSIONS ARE IN INCHES
 .XX = ±.1-
 .XXX = ±.015- ANGULAR = ±1°
 .XXXX = ±.005- FRACTIONAL = ±1/8

DRAWN BY SHAWN CROCKER 06/09/2023
 CHANGED BY SHAWN CROCKER 06/09/2023

ONE DOOR RECESSED DOOR TOOL BOX - 24 X 24 X 48 - X1 WHALE TAIL, 18G SS MIRROR DOOR - OPEN UP



MATERIAL MIXED MATERIAL

SIZE	A	DWG NO.	D31138	REV.	A
SCALE	1:20	WEIGHT	81.78 LB	SHEET	1 of 1

2

1