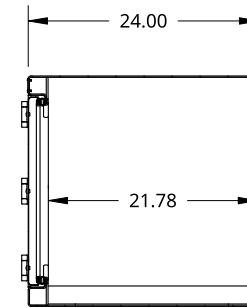
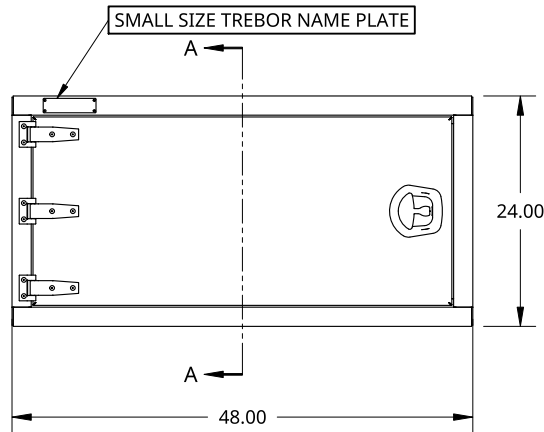
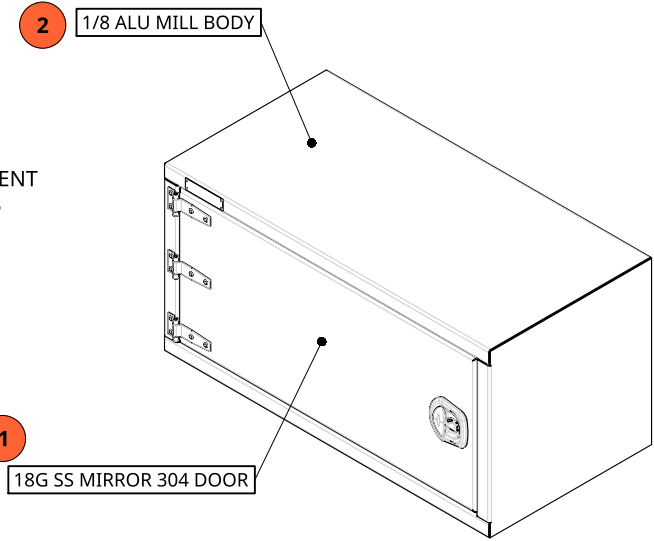
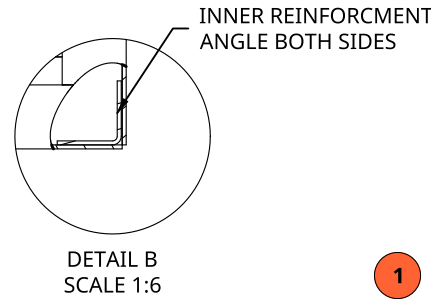
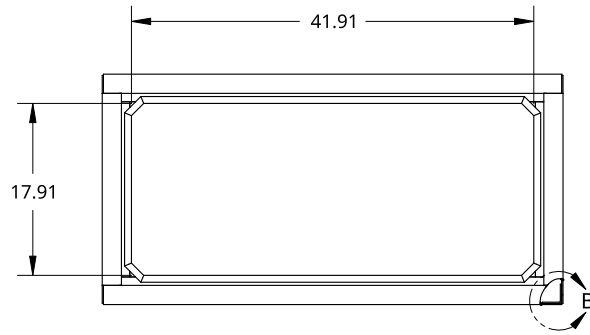


2

1



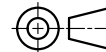
SECTION A - A

THIS DOCUMENT IS THE PROPERTY OF TREBOR MANUFACTURING. ANY UNAUTHORIZED REPRODUCTION WILL BE PROSECUTED TO THE FULL EXTENT OF THE LAW

UNLESS OTHERWISE SPECIFIED, DIMENSIONS ARE IN INCHES

.XX = ±.1-      ANGULAR = ±1°  
 .XXX = ±.015-      FRACTIONAL = ±1/8  
 .XXXX = ±.005-

THIRD ANGLE PROJECTION



DRAWN BY	SHAWN CROCKER	08/02/2021
CHANGED BY	SHAWN CROCKER	06/22/2023

MATERIAL  
 MIXED MATERIAL

PART NO. TRIDPLSS2448WTL      REV. A

ONE DOOR RECESSED DOOR TOOL BOX - 24 X 24 X 48 - X1 WHALE TAIL, 18G SS MIRROR DOOR - X3 HINGES - OPEN LEFT

SIZE A      DWG NO. D31867      REV. A

SCALE 1:20      WEIGHT 81.81 LB      SHEET 1 of 1

2

1

B

B

A

A