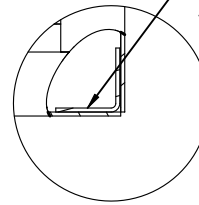
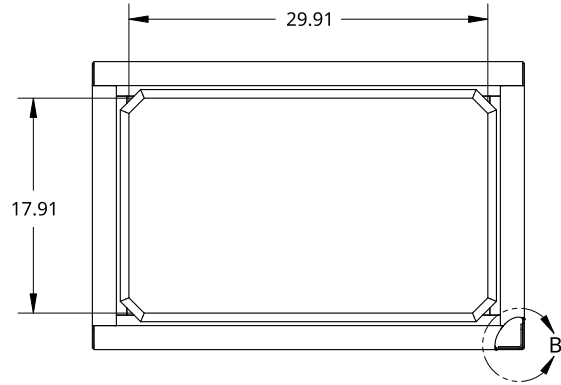


2

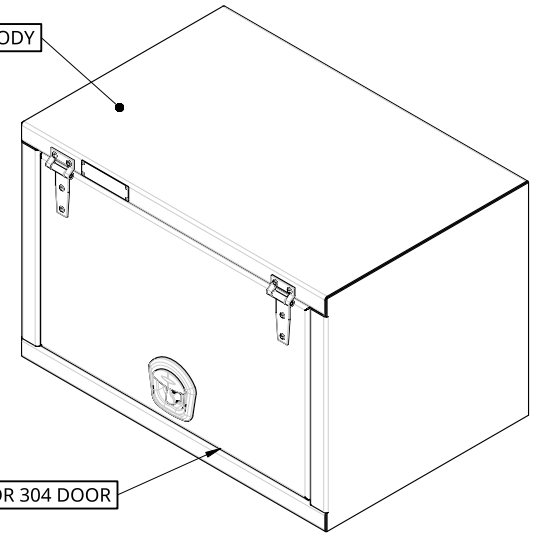
1



DETAIL B
SCALE 1:6

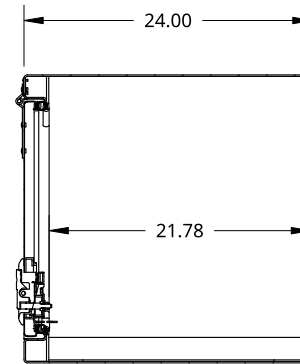
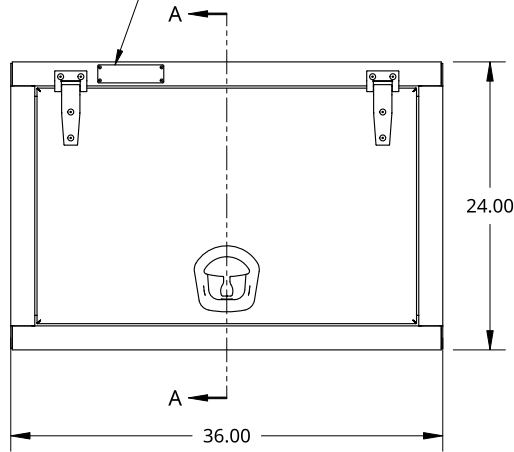
INNER REINFORCEMENT
ANGLE BOTH SIDES

2 1/8 ALU MILL BODY



1 18G SS MIRROR 304 DOOR

SMALL SIZE TREBOR NAME PLATE



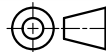
SECTION A - A

THIS DOCUMENT IS THE PROPERTY OF TREBOR
MANUFACTURING. ANY UNAUTHORIZED REPRODUCTION
WILL BE PROSECUTED TO THE FULL EXTENT OF THE LAW

UNLESS OTHERWISE SPECIFIED,
DIMENSIONS ARE IN INCHES

.XX = ±.1-
.XXX = ±.015- ANGULAR = ±1°
.XXXX = ±.005- FRACTIONAL = ±1/8

THIRD ANGLE PROJECTION



DRAWN BY	SHAWN CROCKER	06/09/2023
CHANGED BY	SHAWN CROCKER	06/09/2023

MATERIAL
MIXED MATERIAL

PART NO. TRIDPLSS2436WTU REV. A

ONE DOOR RECESSED DOOR TOOL BOX - 24 X 24 X 36 - X1 WHALE TAIL,
18G SS MIRROR DOOR - OPEN UP

SIZE A DWG NO. D31137 REV. A

SCALE 1:16	WEIGHT 65.99 LB	SHEET 1 of 1
------------	-----------------	--------------

2

1