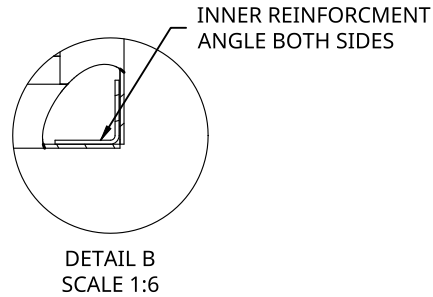
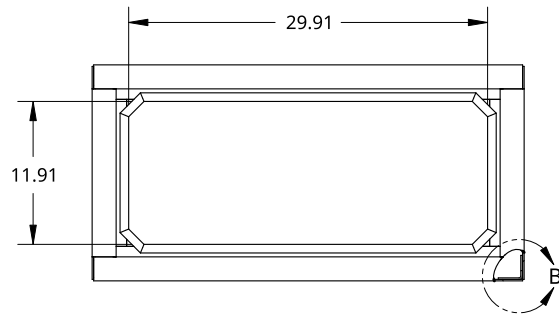
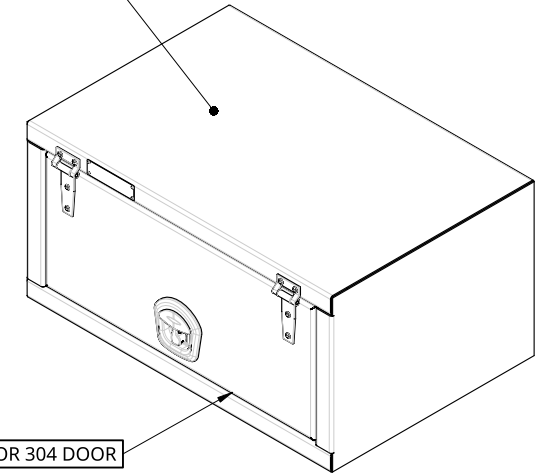


2

1

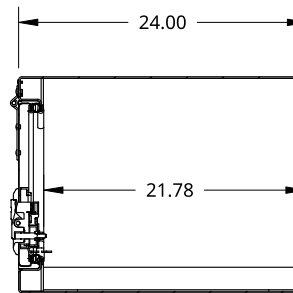
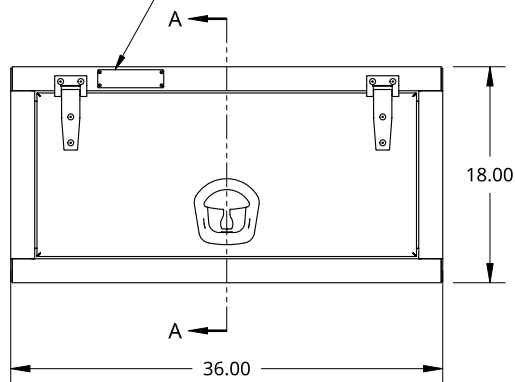


2 1/8 ALU MILL BODY



1 18G SS MIRROR 304 DOOR

SMALL SIZE TREBOR NAME PLATE



SECTION A - A

THIS DOCUMENT IS THE PROPERTY OF TREBOR MANUFACTURING. ANY UNAUTHORIZED REPRODUCTION WILL BE PROSECUTED TO THE FULL EXTENT OF THE LAW



PART NO. TRIDPLSS1836WTU REV. A

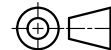
UNLESS OTHERWISE SPECIFIED, DIMENSIONS ARE IN INCHES

.XX = ±.1- ANGULAR = ±1°
.XXX = ±.015- FRACTIONAL = ±1/8
.XXXX = ±.005-

DRAWN BY	SHAWN CROCKER	06/09/2023
CHANGED BY	SHAWN CROCKER	06/09/2023

ONE DOOR RECESSED DOOR TOOL BOX - 24 X 18 X 36 - X1 WHALE TAIL, 18G SS MIRROR DOOR - OPEN UP

THIRD ANGLE PROJECTION



MATERIAL

MIXED MATERIAL

SIZE A DWG. NO. D31132 REV. A

SCALE	1:16	WEIGHT	56.27 LB	SHEET	1 of 1
-------	------	--------	----------	-------	--------

2

1

B

B

A

A