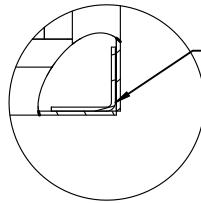
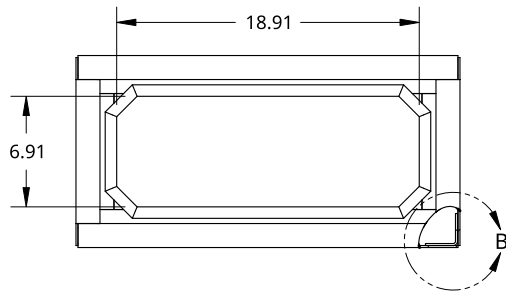


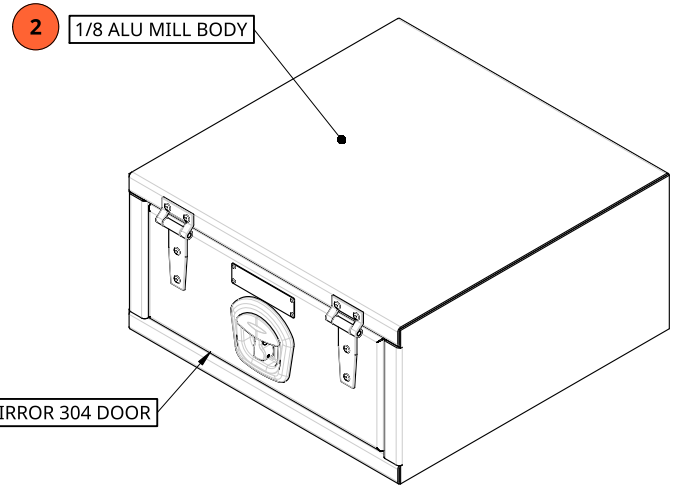
2

1



INNER REINFORCMENT  
ANGLE BOTH SIDES

DETAIL B  
SCALE 1:6



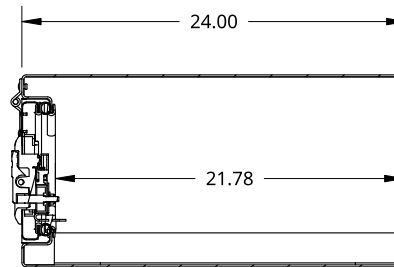
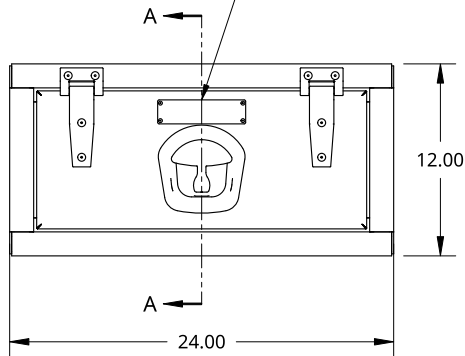
1

18G SS MIRROR 304 DOOR

2

1/8 ALU MILL BODY

SMALL SIZE TREBOR NAME PLATE



SECTION A - A

B

B

A

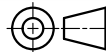
A

THIS DOCUMENT IS THE PROPERTY OF TREBOR  
MANUFACTURING. ANY UNAUTHORIZED REPRODUCTION  
WILL BE PROSECUTED TO THE FULL EXTENT OF THE LAW

UNLESS OTHERWISE SPECIFIED,  
DIMENSIONS ARE IN INCHES

.XX = ±.1-  
.XXX = ±.015- ANGULAR = ±1°  
.XXXX = ±.005- FRACTIONAL = ±1/8

THIRD ANGLE PROJECTION



DRAWN BY	SHAWN CROCKER	06/09/2023
CHANGED BY	SHAWN CROCKER	06/09/2023

MATERIAL  
MIXED MATERIAL

PART NO. TRIDPLSS1224WTU REV. A

ONE DOOR RECESSED DOOR TOOL BOX - 24 X 12 X 24 - X1 WHALE TAIL,  
18G SS MIRROR DOOR - OPEN UP - WITH 1.5IN FRAME

SIZE A DWG NO. D31130 REV. A

SCALE 1:12	WEIGHT 33.48 LB	SHEET 1 of 1
------------	-----------------	--------------

2

1