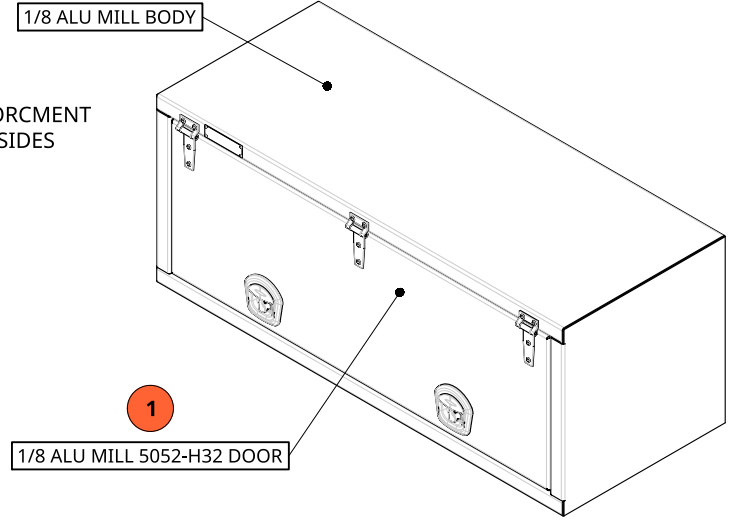
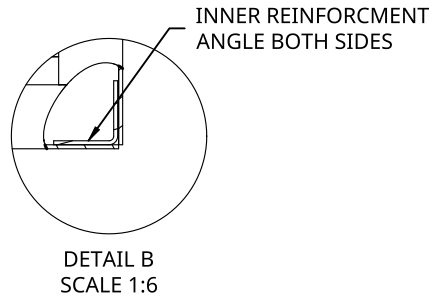
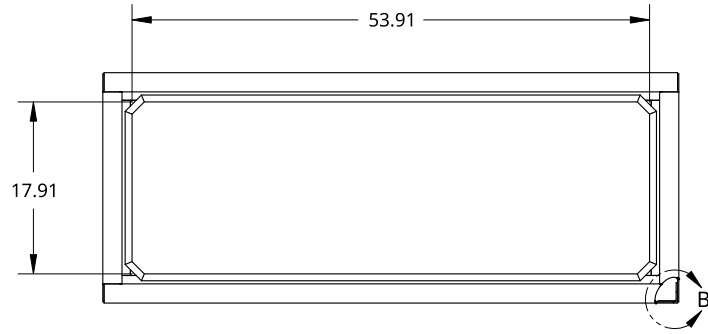
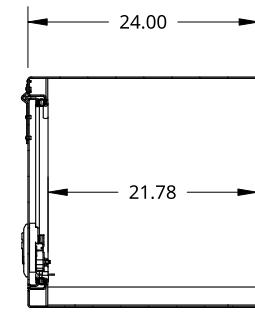
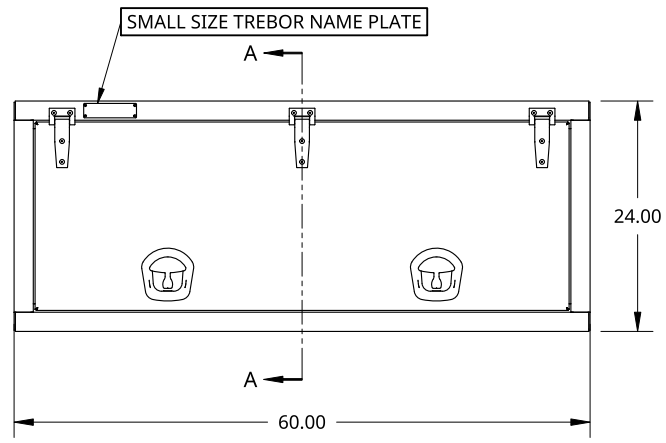


B



B

A



SECTION A - A

A

THIS DOCUMENT IS THE PROPERTY OF TREBOR MANUFACTURING. ANY UNAUTHORIZED REPRODUCTION WILL BE PROSECUTED TO THE FULL EXTENT OF THE LAW



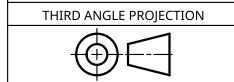
PART NO. TRIDPL2460WTU

REV. A

UNLESS OTHERWISE SPECIFIED, DIMENSIONS ARE IN INCHES  
 .XX = ±.1-  
 .XXX = ±.015-  
 .XXXX = ±.005-  
 ANGULAR = ±1°  
 FRACTIONAL = ±1/8

DRAWN BY	SHAWN CROCKER	06/09/2023
CHANGED BY	SHAWN CROCKER	06/09/2023

ONE DOOR RECESSED DOOR TOOL BOX - 24 X 24 X 60 - X2 WHALE TAILS - X3 HINGES - OPEN UP



MATERIAL  
 1/8 ALU MILL

SIZE A DWG NO. D31119 REV. A

SCALE 1:20	WEIGHT 95.78 LB	SHEET 1 of 1
------------	-----------------	--------------

2

1