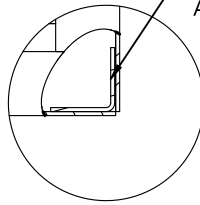
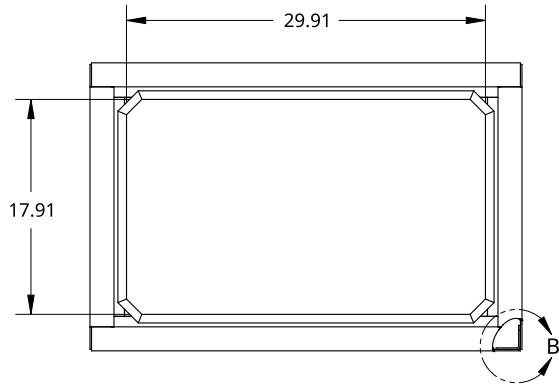


2

1

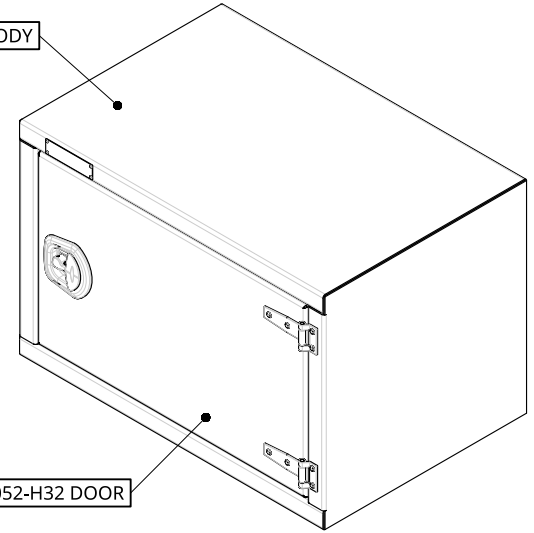


DETAIL B
SCALE 1:6

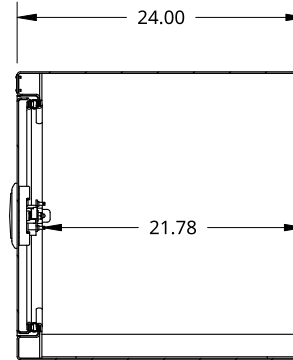
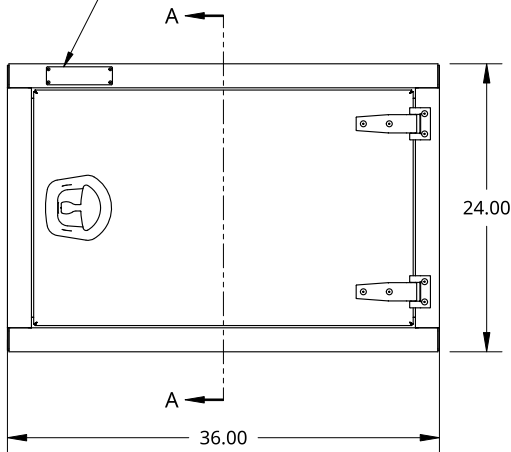
INNER REINFORCEMENT
ANGLE BOTH SIDES

2 1/8 ALU MILL BODY

1 1/8 ALU MILL 5052-H32 DOOR



SMALL SIZE TREBOR NAME PLATE



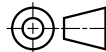
SECTION A - A

THIS DOCUMENT IS THE PROPERTY OF TREBOR
MANUFACTURING. ANY UNAUTHORIZED REPRODUCTION
WILL BE PROSECUTED TO THE FULL EXTENT OF THE LAW

UNLESS OTHERWISE SPECIFIED,
DIMENSIONS ARE IN INCHES

.XX = ±.1- ANGULAR = ±1°
.XXX = ±.015- FRACTIONAL = ±1/8
.XXXX = ±.005-

THIRD ANGLE PROJECTION



DRAWN BY	SHAWN CROCKER	08/02/2021
CHANGED BY	SHAWN CROCKER	06/21/2023

MATERIAL
1/8 ALU MILL

PART NO. TRIDPL2436WTR REV. A

ONE DOOR RECESSED DOOR TOOL BOX - 24 X 24 X 36 - X1 WHALE TAIL
- OPEN RIGHT

SIZE A DWG NO. D31773 REV. A

SCALE	1:16	WEIGHT	65.01 LB	SHEET	1 of 1
-------	------	--------	----------	-------	--------

2

1