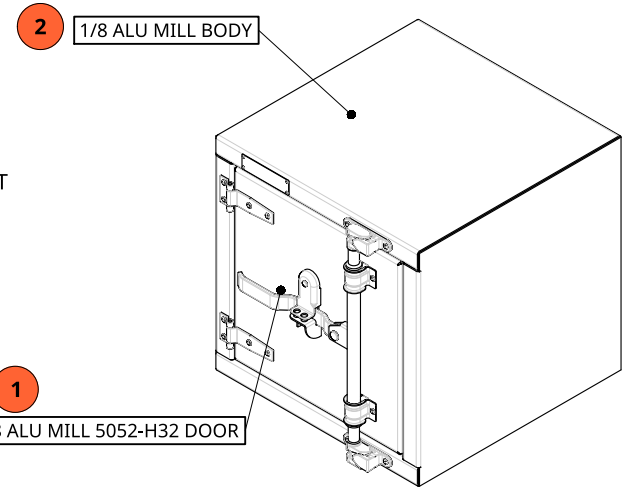
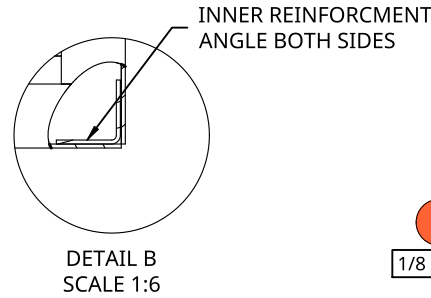
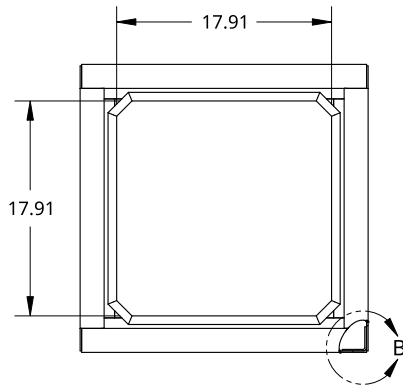
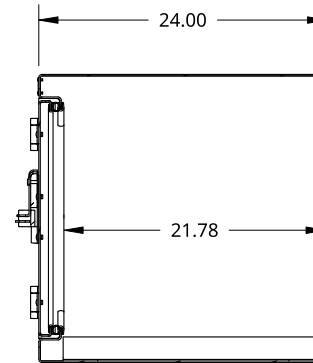
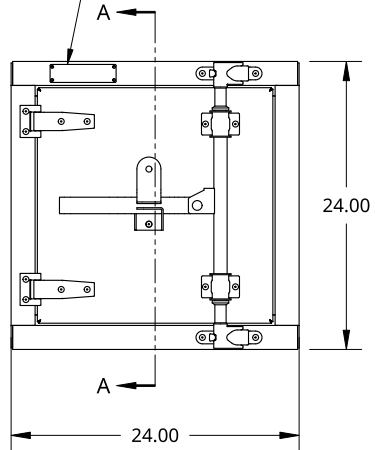


2

1



SMALL SIZE TREBOR NAME PLATE



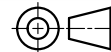
SECTION A - A

THIS DOCUMENT IS THE PROPERTY OF TREBOR MANUFACTURING. ANY UNAUTHORIZED REPRODUCTION WILL BE PROSECUTED TO THE FULL EXTENT OF THE LAW

UNLESS OTHERWISE SPECIFIED, DIMENSIONS ARE IN INCHES

.XX = ±.1- ANGULAR = ±1°
.XXX = ±.015- FRACTIONAL = ±1/8
.XXXX = ±.005-

THIRD ANGLE PROJECTION



DRAWN BY SHAWN CROCKER 08/02/2021
CHANGED BY SHAWN CROCKER 07/07/2023

MATERIAL
1/8 ALU MILL

PART NO. TRIDPL2424PL REV. A

ONE DOOR RECESSED DOOR TOOL BOX - 24 X 24 X 24 - COMPRESSION LOCK - OPEN LEFT

SIZE A DWG. NO. D32911 REV. A1

SCALE 1:16 WEIGHT 59.68 LB SHEET 1 of 1

2

1

B

A

B

A