

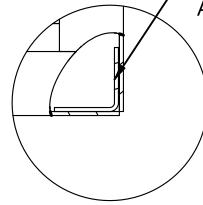
2

1

2

1/8 ALU MILL BODY

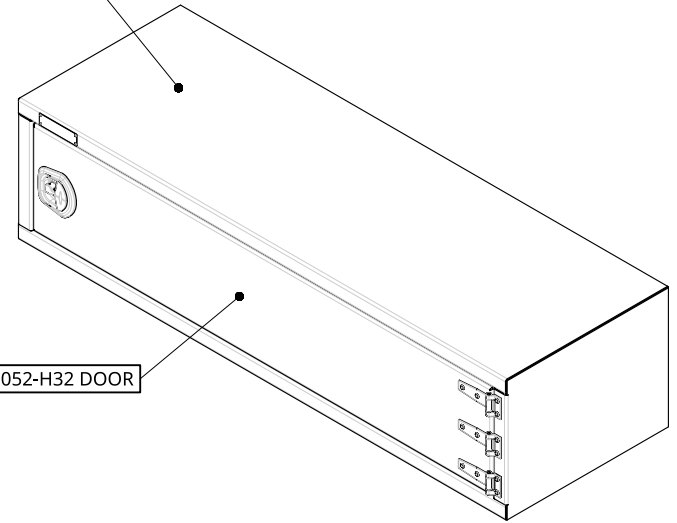
INNER REINFORCEMENT
ANGLE BOTH SIDES



DETAIL B
SCALE 1:6

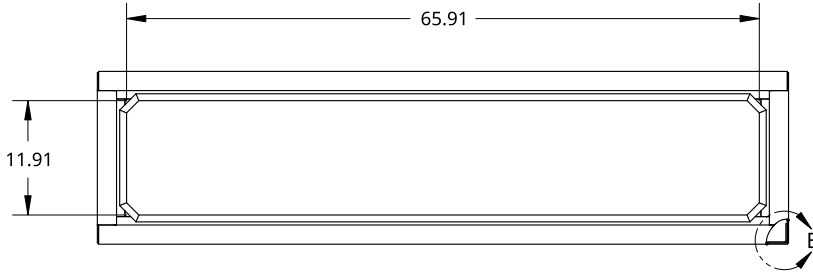
1

1/8 ALU MILL 5052-H32 DOOR

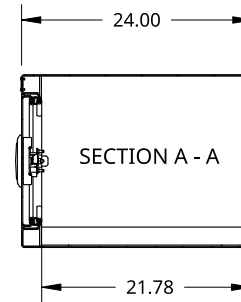
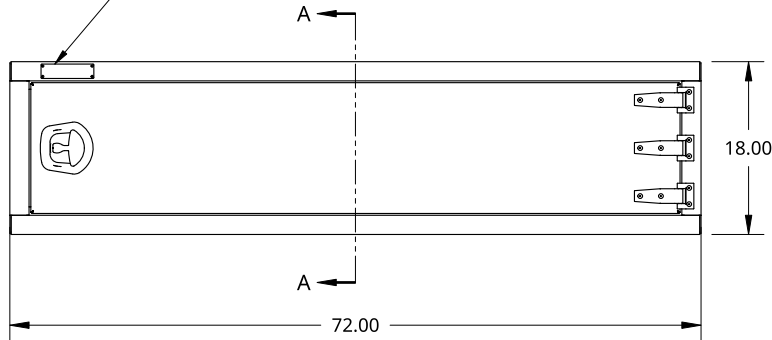


B

A



SMALL SIZE TREBOR NAME PLATE



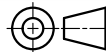
SECTION A - A

THIS DOCUMENT IS THE PROPERTY OF TREBOR
MANUFACTURING. ANY UNAUTHORIZED REPRODUCTION
WILL BE PROSECUTED TO THE FULL EXTENT OF THE LAW

UNLESS OTHERWISE SPECIFIED,
DIMENSIONS ARE IN INCHES

.XX = ±.1- ANGULAR = ±1°
.XXX = ±.015- FRACTIONAL = ±1/8
.XXXX = ±.005-

THIRD ANGLE PROJECTION



DRAWN BY RAUL MANRIQUE 10/31/2022
CHANGED BY SHAWN CROCKER 06/21/2023

MATERIAL

1/8 ALU MILL

PART NO. TRIDPL1872WTR REV. A

ONE DOOR RECESSED DOOR TOOL BOX - 24 X 18 X 72 - X1 WHALE TAIL
- X3 HINGES - OPEN RIGHT

SIZE A DWG NO. D31771 REV. A

SCALE 1:20 WEIGHT 96.67 LB SHEET 1 of 1

2

1

B

A