

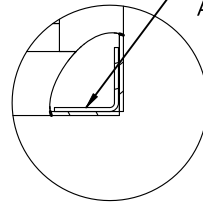
2

1

2

1/8 ALU MILL BODY

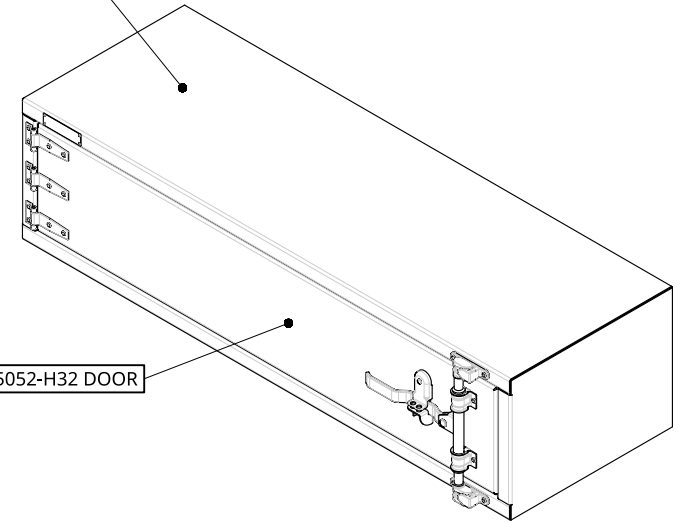
INNER REINFORCEMENT
ANGLE BOTH SIDES



DETAIL B
SCALE 1:6

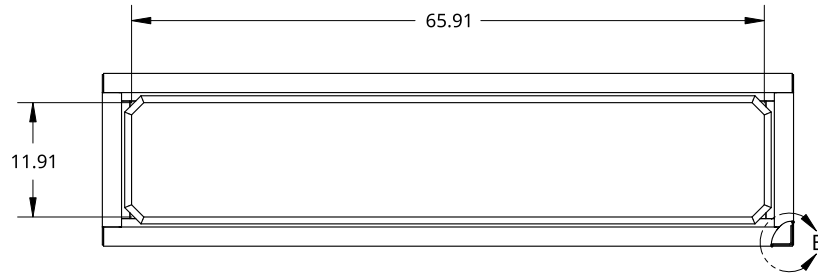
1

1/8 ALU MILL 5052-H32 DOOR

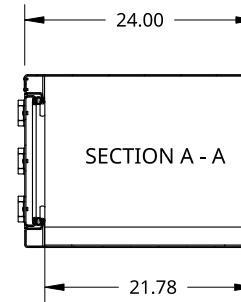
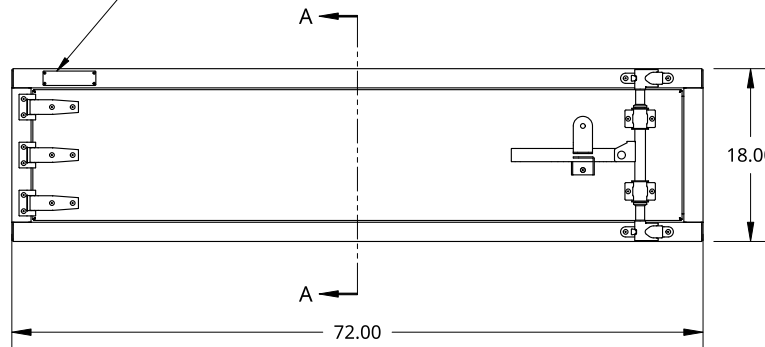


B

B



SMALL SIZE TREBOR NAME PLATE



A

A

2

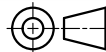
1

THIS DOCUMENT IS THE PROPERTY OF TREBOR MANUFACTURING. ANY UNAUTHORIZED REPRODUCTION WILL BE PROSECUTED TO THE FULL EXTENT OF THE LAW

UNLESS OTHERWISE SPECIFIED, DIMENSIONS ARE IN INCHES

.XX = ±.1-
.XXX = ±.015-
.XXXX = ±.005-
ANGULAR = ±1°
FRACTIONAL = ±1/8

THIRD ANGLE PROJECTION



DRAWN BY RAUL MANRIQUE 10/31/2022
CHANGED BY SHAWN CROCKER 07/07/2023

MATERIAL

1/8 ALU MILL

PART NO. TRIDPL1872PL REV. A

ONE DOOR RECESSED DOOR TOOL BOX - 24 X 18 X 72 - COMPRESSION LOCK - X3 HINGES - OPEN RIGHT

SIZE A DWG NO. D32910 REV. A

SCALE 1:20 WEIGHT 107.36 LB SHEET 1 of 1