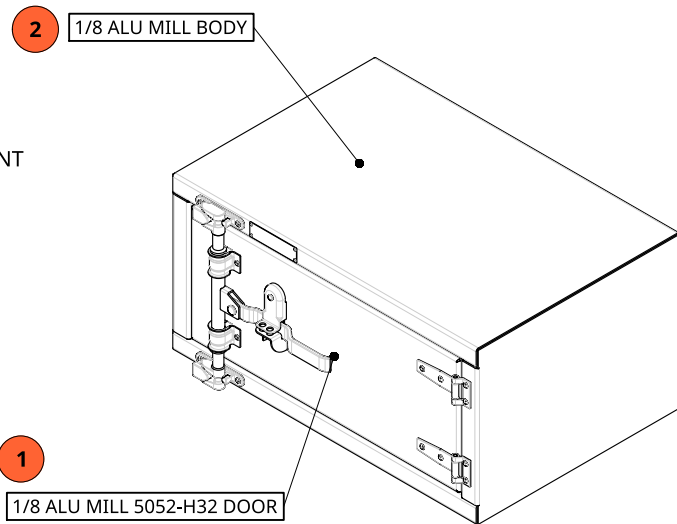
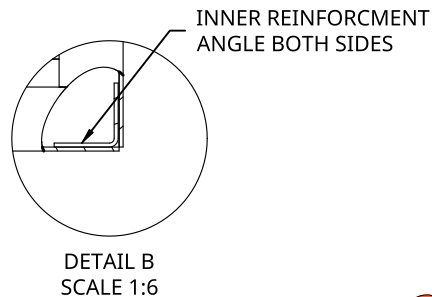
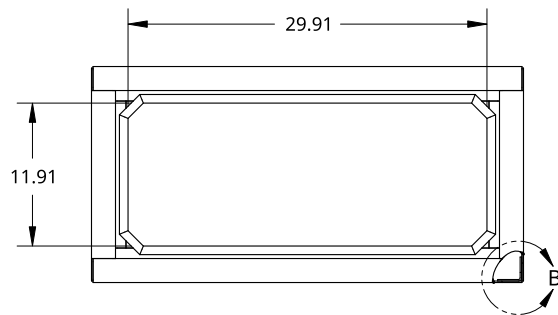
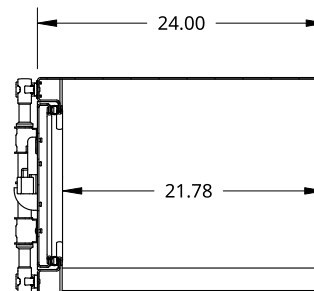
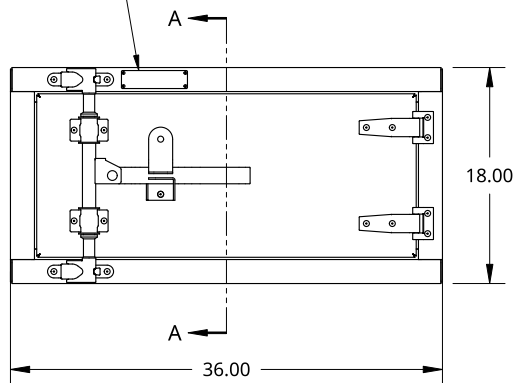


2

1



SMALL SIZE TREBOR NAME PLATE



SECTION A - A

THIS DOCUMENT IS THE PROPERTY OF TREBOR MANUFACTURING. ANY UNAUTHORIZED REPRODUCTION WILL BE PROSECUTED TO THE FULL EXTENT OF THE LAW

UNLESS OTHERWISE SPECIFIED, DIMENSIONS ARE IN INCHES

.XX = ±.1-
.XXX = ±.015- ANGULAR = ±1°
.XXXX = ±.005- FRACTIONAL = ±1/8

THIRD ANGLE PROJECTION



DRAWN BY SHAWN CROCKER 08/02/2021
CHANGED BY SHAWN CROCKER 07/06/2023

MATERIAL

1/8 ALU MILL

PART NO. TRIDPL1836PR REV. A

ONE DOOR RECESSED DOOR TOOL BOX - 24 X 18 X 36 - COMPRESSION LOCK - OPEN RIGHT

SIZE A DWG. NO. D32856 REV. A

SCALE 1:16 WEIGHT 66.25 LB SHEET 1 of 1

2

1

B

B

A

A