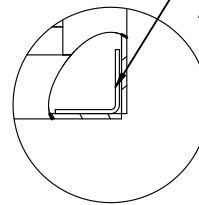
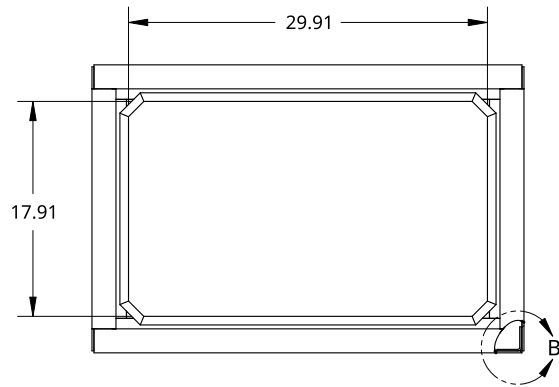


2

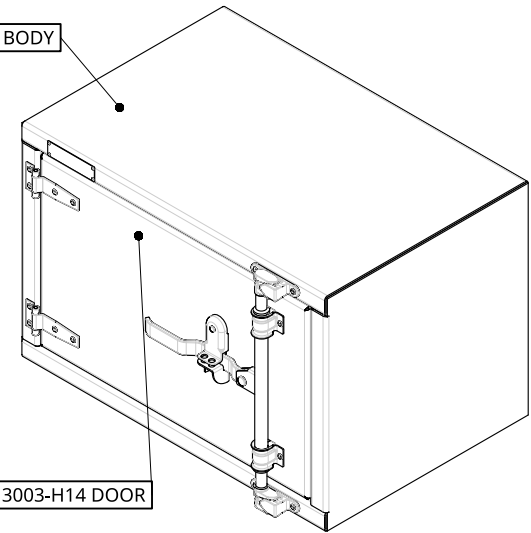
1



DETAIL B  
SCALE 1:6

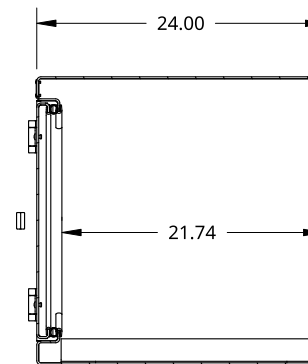
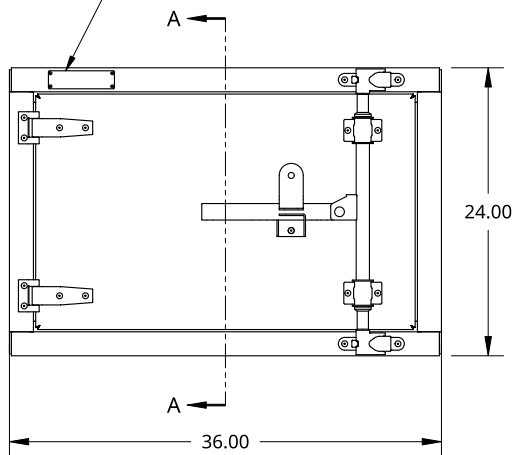
INNER REINFORCEMENT  
ANGLE BOTH SIDES

2 1/8 ALU CHECKER BODY



1 1/8 ALU CHECKER 3003-H14 DOOR

SMALL SIZE TREBOR NAME PLATE



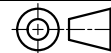
SECTION A - A

THIS DOCUMENT IS THE PROPERTY OF TREBOR  
MANUFACTURING. ANY UNAUTHORIZED REPRODUCTION  
WILL BE PROSECUTED TO THE FULL EXTENT OF THE LAW

UNLESS OTHERWISE SPECIFIED,  
DIMENSIONS ARE IN INCHES

.XX = ±.1-  
.XXX = ±.015- ANGULAR = ±1°  
.XXXX = ±.005- FRACTIONAL = ±1/8

THIRD ANGLE PROJECTION



DRAWN BY	SHAWN CROCKER	08/02/2021
CHANGED BY	SHAWN CROCKER	07/07/2023

MATERIAL  
1/8 ALU CHECKER

PART NO. TRID2436PL REV. A

ONE DOOR RECESSED DOOR TOOL BOX - 24 X 24 X 36 - COMPRESSION  
LOCK - OPEN RIGHT

SIZE A DWG NO. D32887 REV. A

SCALE	1:16	WEIGHT	79.95 LB	SHEET	1 of 1
-------	------	--------	----------	-------	--------

2

1

B

A

B

A