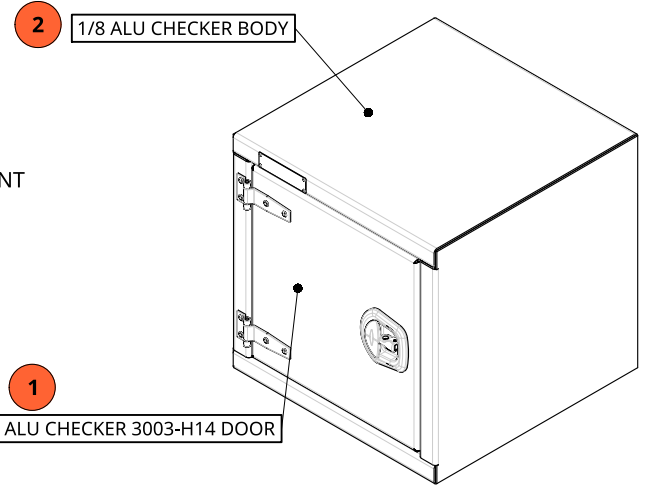
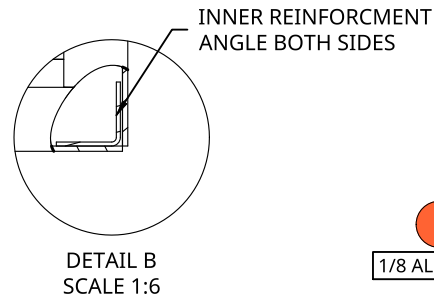
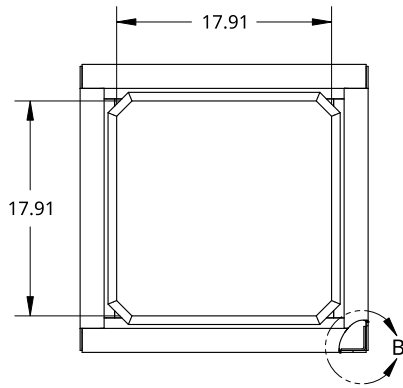
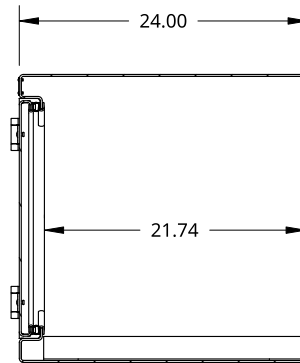
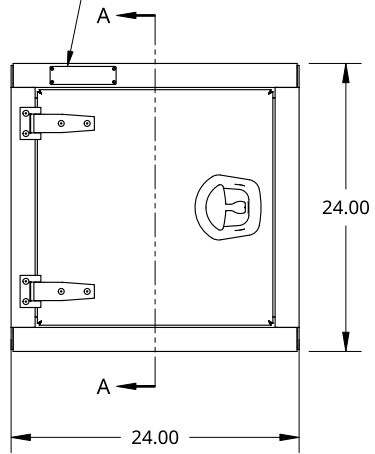


2

1



SMALL SIZE TREBOR NAME PLATE

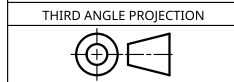


SECTION A - A

THIS DOCUMENT IS THE PROPERTY OF TREBOR MANUFACTURING. ANY UNAUTHORIZED REPRODUCTION WILL BE PROSECUTED TO THE FULL EXTENT OF THE LAW



UNLESS OTHERWISE SPECIFIED, DIMENSIONS ARE IN INCHES  
 .XX = ±.1-  
 .XXX = ±.015- ANGULAR = ±1°  
 .XXXX = ±.005- FRACTIONAL = ±1/8



PART NO. TRID2424WTL  
 REV. A

ONE DOOR RECESSED DOOR TOOL BOX - 24 X 24 X 24 - X1 WHALE TAIL - OPEN LEFT

SIZE A DWG NO. D31925 REV. A

SCALE 1:16 WEIGHT 51.92 LB SHEET 1 of 1

2

1

B

B

A

A