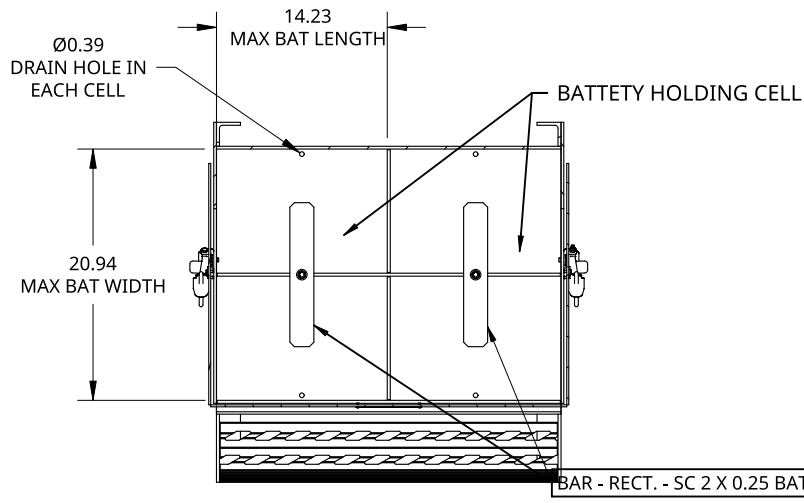


2

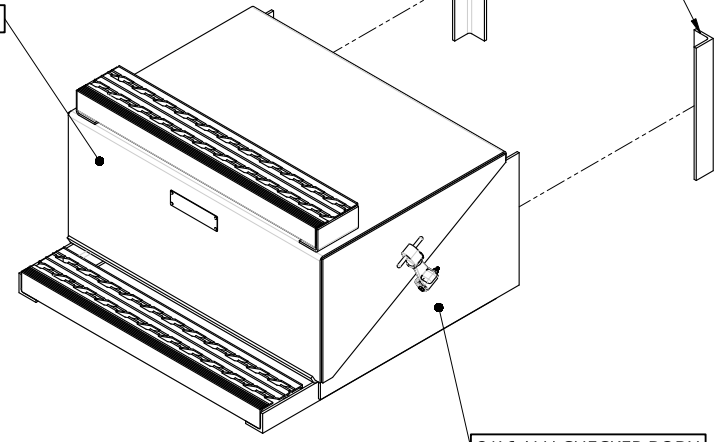
1



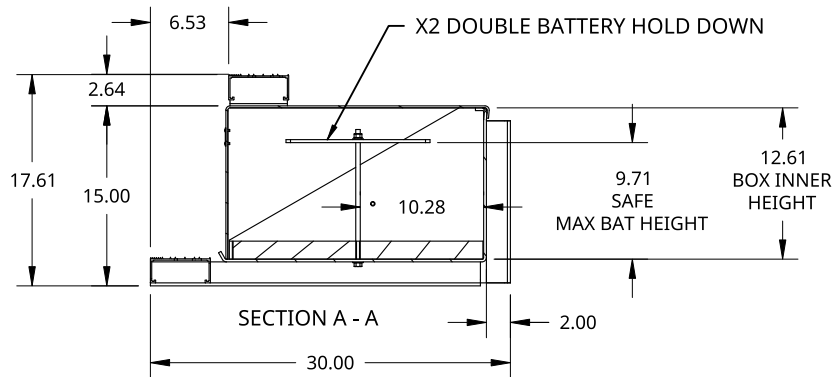
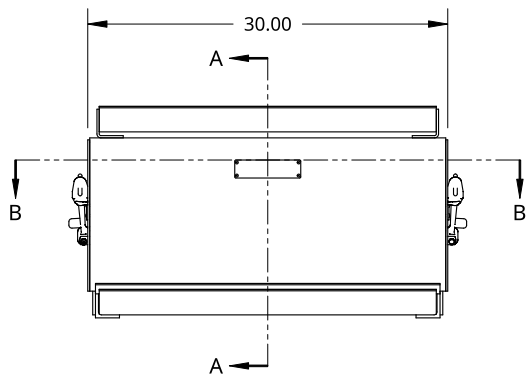
SECTION B - B

1/8 ALU CHECKER LID

ANGLE - STRUC. 2 X 2 X 0.25 INSTALLATION ANGLES



1



SECTION A - A

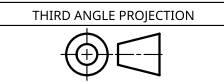
RELEASED

REVISIONS			
REVISION	REVISION DESCRIPTION	DATE APPROVED	APPROVER
A	ADDED INSTALLATION ANGLES TO BE SHIPPED UNINSTALLED	04/06/2023	DENIS DUCHARME
B	CHANGED DIVIDER BARS TO 1.5IN WIDE FLAT BAR	04/18/2023	DENIS DUCHARME

THIS DOCUMENT IS THE PROPERTY OF TREBOR MANUFACTURING. ANY UNAUTHORIZED REPRODUCTION WILL BE PROSECUTED TO THE FULL EXTENT OF THE LAW



UNLESS OTHERWISE SPECIFIED, DIMENSIONS ARE IN INCHES
 .XX = ±.1-
 .XXX = ±.015-
 .XXXX = ±.005-
 ANGULAR = ±1°
 FRACTIONAL = ±1/8



DRAWN BY	SHAWN CROCKER	09/02/2021
CHANGED BY	SHAWN CROCKER	04/17/2023

MATERIAL
 MIXED MATERIAL

PART NO. TRBATSTEP301530 REV. C

STEP BATTERY BOX - 30 X 15 X 30 - RUBBER HOOD LATCH - X4 BATTERY COMPARTMENTS

SIZE	A	DWG NO.	D28694	REV	B
SCALE	1:16	WEIGHT	66.835 LB	SHEET	1 of 1

2

1