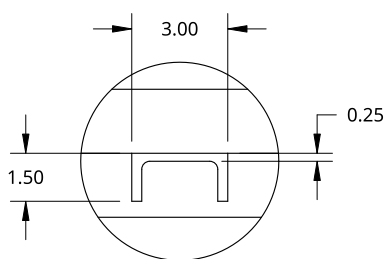
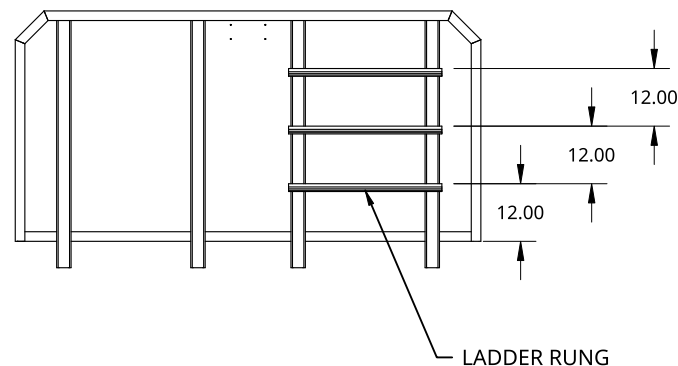
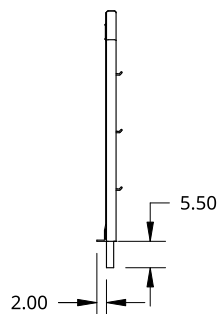
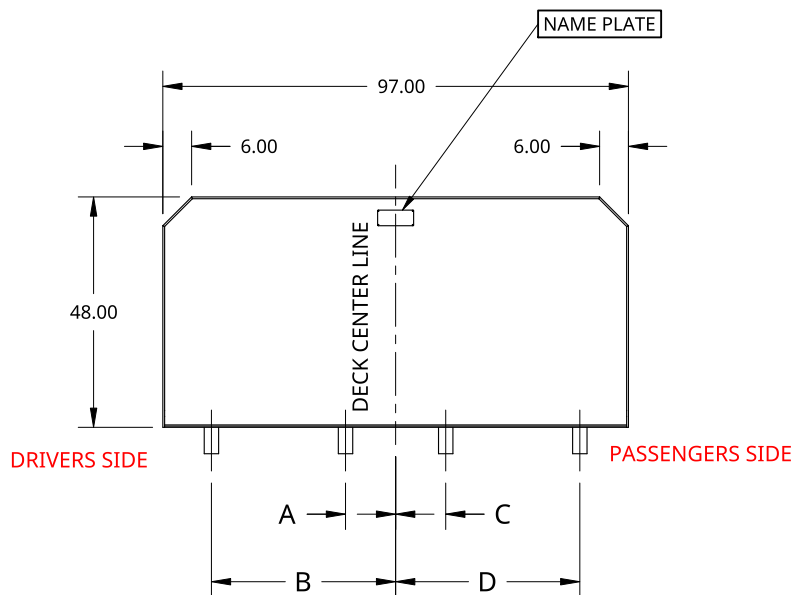
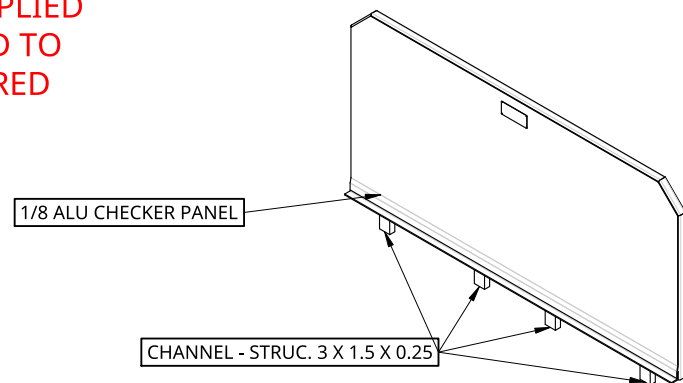


CUSTOMER DIMENSIONS	
DIMENSION	MEASURED SIZE
A	
B	
C	
D	

DESIRED MOUNTING LEG POSITIONS NEED TO BE SUPPLIED WITH PURCHASE ORDER. SUPPLIED DIMENSIONS NEED TO REFERENCE THE CENTER OF THE TRAILER TO THE DESIRED CENTER OF HEADBOARD MOUNTING LEG



DETAIL A
SCALE 1:6

THIS DOCUMENT IS THE PROPERTY OF TREBOR MANUFACTURING. ANY UNAUTHORIZED REPRODUCTION WILL BE PROSECUTED TO THE FULL EXTENT OF THE LAW



UNLESS OTHERWISE SPECIFIED, DIMENSIONS ARE IN INCHES

.XX = ±.1-
.XXX = ±.015-
.XXXX = ±.005-

ANGULAR = ±1°
FRACTIONAL = ±1/8

THIRD ANGLE PROJECTION



DRAWN BY	SHAWN CROCKER	09/24/2021
CHANGED BY	SHAWN CROCKER	04/18/2023

MATERIAL

ALUMINUM

PART NO.		TRHBLAD4897		REV.	B
STANDARD TRAILER BULK HEAD - 1/8 ALU CHECKER PANEL - 48IN HIGH X 97IN WIDE - LADDER ON DRIVERS SIDE - MOUNTING LEG POSITIONS SUPPLIED AT TIME OF PURCHASE					
SIZE	A		DWG NO.	D11688	
SCALE	1:40	WEIGHT	131.79 LB	SHEET	1 of 1

2

1