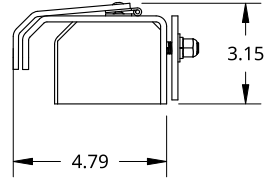
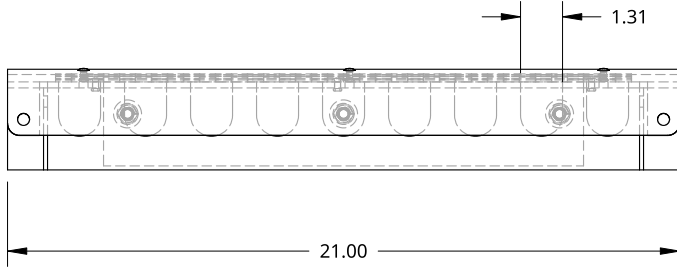
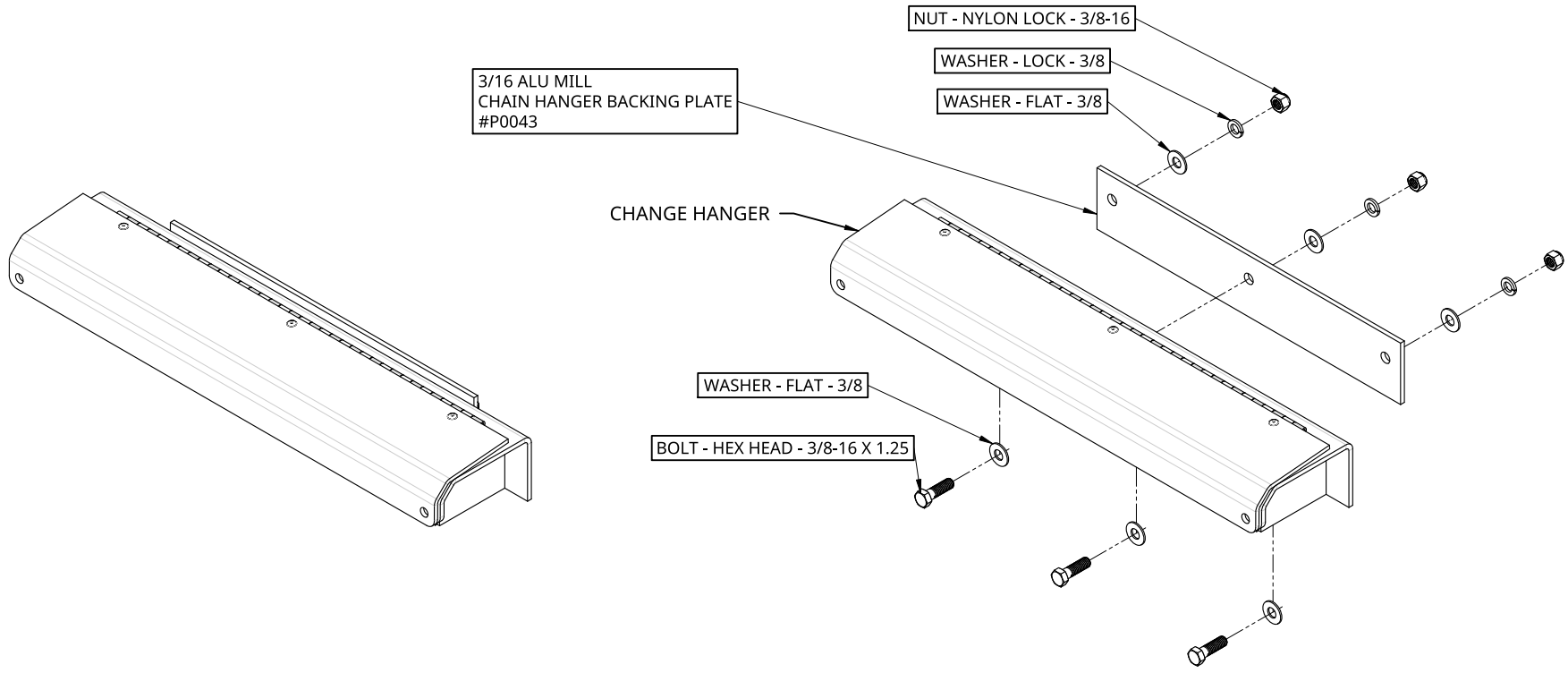


2

1

B

B



A

A

2

1

<small>THIS DOCUMENT IS THE PROPERTY OF TREBOR MANUFACTURING. ANY UNAUTHORIZED REPRODUCTION WILL BE PROSECUTED TO THE FULL EXTENT OF THE LAW</small>				PART NO. TR147SP		REV. D
<small>UNLESS OTHERWISE SPECIFIED, DIMENSIONS ARE IN INCHES .XX = ±.1- .XXX = ±.015- .XXXX = ±.005-</small>				<small>DRAWN BY SHAWN CROCKER 07/14/2021 CHANGED BY SHAWN CROCKER 04/03/2023</small>		CAB SHIELD CHAIN HANGER W/LID AND 9 HOLES FOR 1/2IN CHAIN - 21IN WIDE
<small>THIRD ANGLE PROJECTION</small> 		MATERIAL ALUMINUM		SIZE A	DWG NO. D0463	REV. C
		SCALE 1:6	WEIGHT 5.89 LB	SHEET 1 of 1		