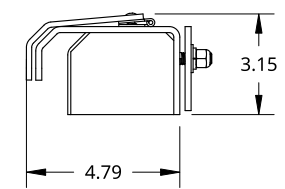
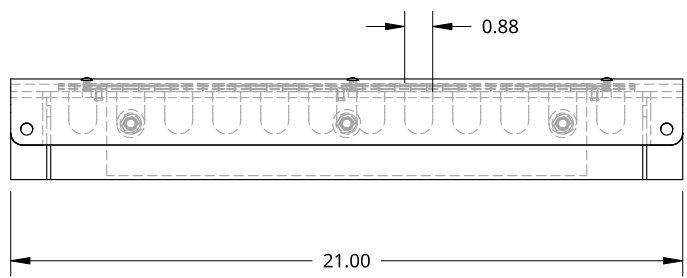
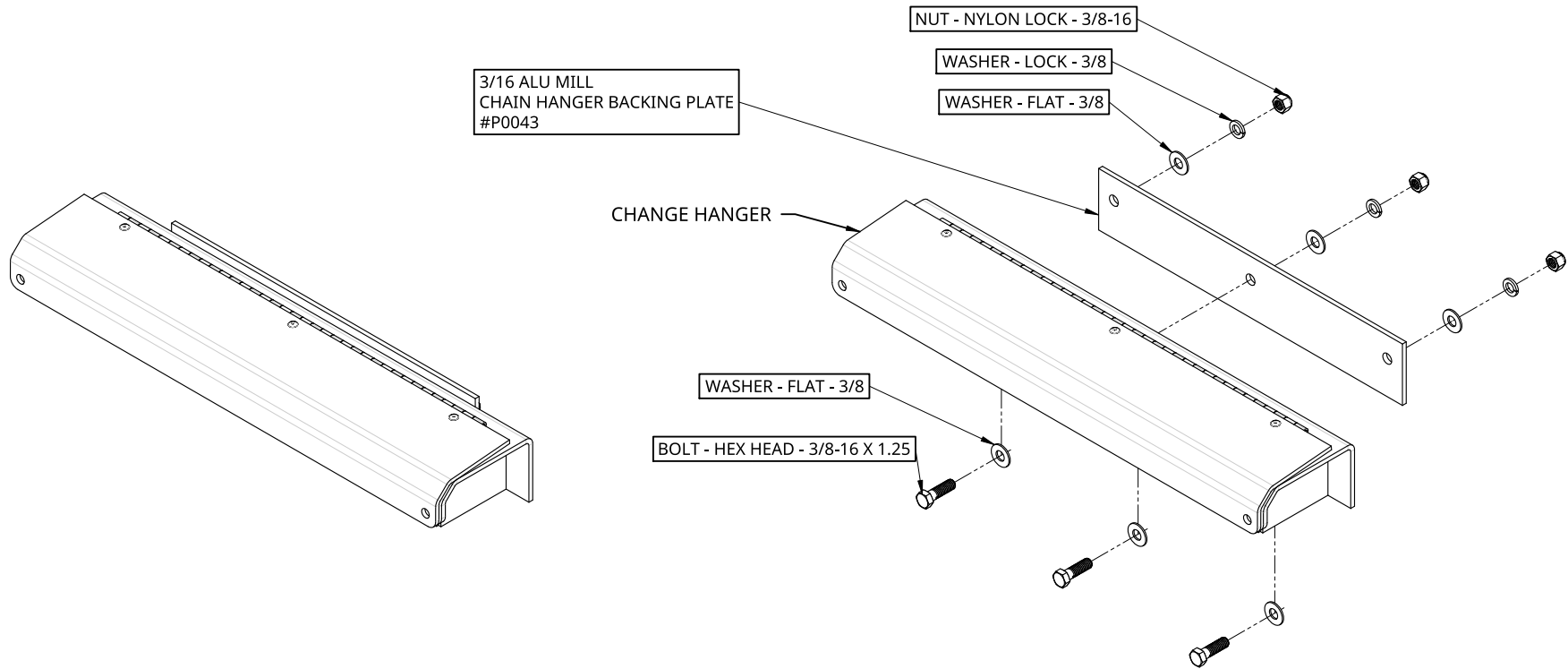


2

1



B

B

A

A

<small>THIS DOCUMENT IS THE PROPERTY OF TREBOR MANUFACTURING. ANY UNAUTHORIZED REPRODUCTION WILL BE PROSECUTED TO THE FULL EXTENT OF THE LAW</small>				PART NO. TR147	REV. D
<small>UNLESS OTHERWISE SPECIFIED, DIMENSIONS ARE IN INCHES .XX = ±.1- .XXX = ±.015- .XXXX = ±.005-</small>		<small>ANGULAR = ±1° FRACTIONAL = ±1/8</small>	DRAWN BY SHAWN CROCKER 11/27/2020 CHANGED BY SHAWN CROCKER 04/03/2023	CAB SHIELD CHAIN HANGER W/LID AND 12 HOLES FOR 3/8IN CHAIN - 21IN WIDE	
THIRD ANGLE PROJECTION		MATERIAL ALUMINUM		SIZE A	DWG NO. D0651
				SCALE 1:6	WEIGHT 6.08 LB
				SHEET 1 of 1	REV. C

2

1