

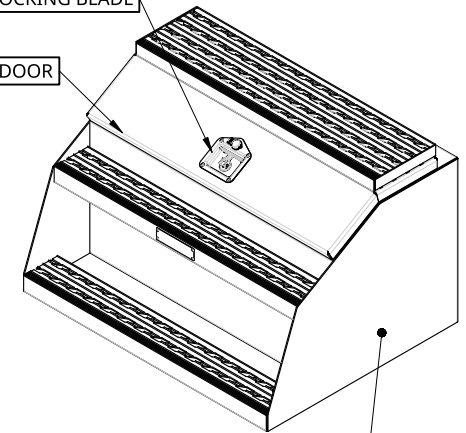
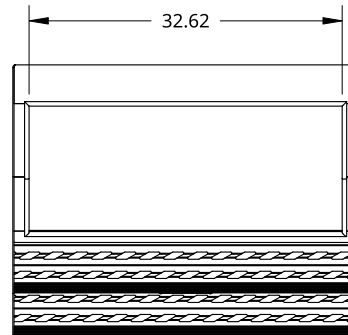
2

1

T-HANDLE LOCK WITH FLAT LOCKING BLADE

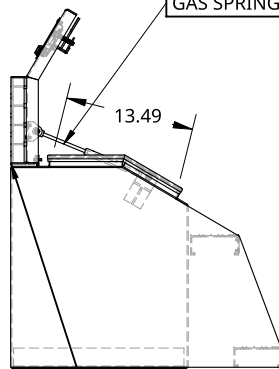
1/8 ALU MILL DOOR

1/8 ALU MILL BODY

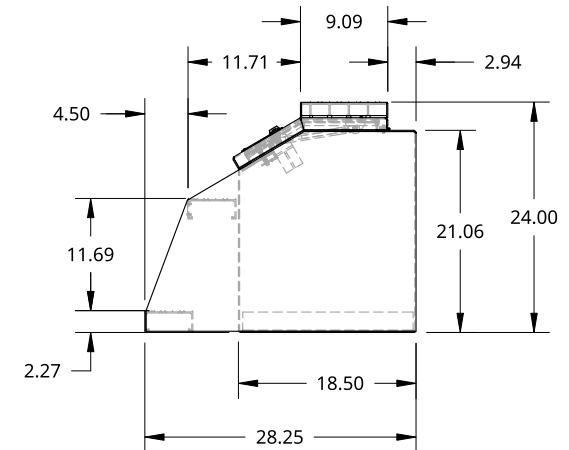
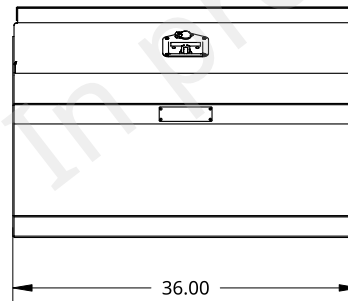


GAS SPRING DOOR HOLDER

13.49



FLUSH WITH BACK OF  
BOX WHEN OPEN TO  
90 DEG

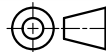


THIS DOCUMENT IS THE PROPERTY OF TREBOR  
MANUFACTURING. ANY UNAUTHORIZED REPRODUCTION  
WILL BE PROSECUTED TO THE FULL EXTENT OF THE LAW

UNLESS OTHERWISE SPECIFIED,  
DIMENSIONS ARE IN INCHES

.XX = ±.1-  
.XXX = ±.015- ANGULAR = ±1°  
.XXXX = ±.005- FRACTIONAL = ±1/8

THIRD ANGLE PROJECTION



DRAWN BY SHAWN CROCKER 07/15/2021  
CHANGED BY SHAWN CROCKER 07/03/2023

MATERIAL

1/8 ALU MILL

PART NO. TRSTBPLBM36 REV. C

BIG MOUTH STEP BOX - 28.25 X 24 X 36 - X1 T-HANDLE - 9IN TOP STEP

SIZE A DWG NO. D7948 REV.

SCALE 1:20 WEIGHT 68.5 LB SHEET 1 of 1

2

1