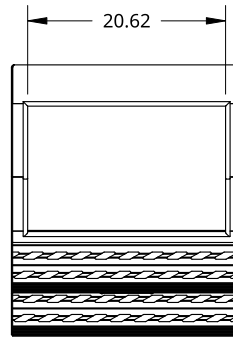


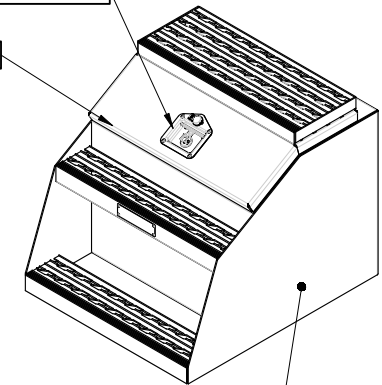
2

1



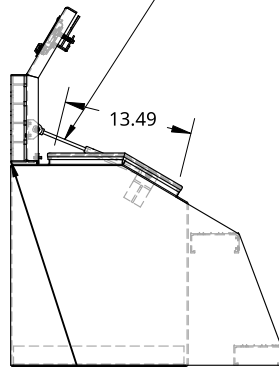
T-HANDLE LOCK WITH FLAT LOCKING BLADE

1/8 ALU MILL DOOR

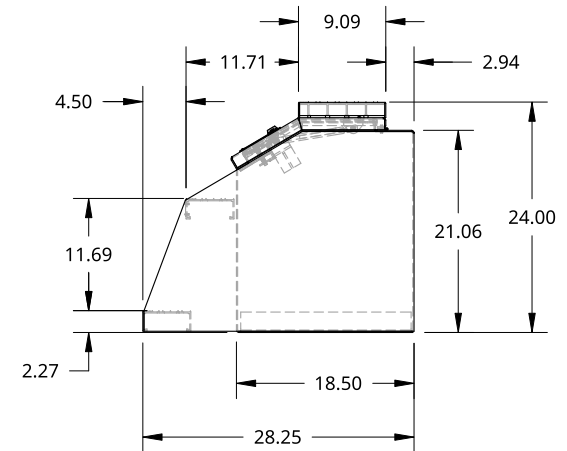
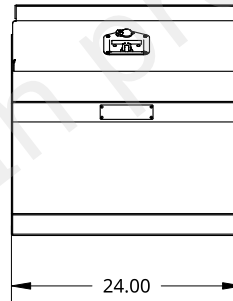


1/8 ALU MILL BODY

GAS SPRING DOOR HOLDER



FLUSH WITH BACK OF
BOX WHEN OPEN TO
90 DEG

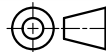


THIS DOCUMENT IS THE PROPERTY OF TREBOR
MANUFACTURING. ANY UNAUTHORIZED REPRODUCTION
WILL BE PROSECUTED TO THE FULL EXTENT OF THE LAW

UNLESS OTHERWISE SPECIFIED,
DIMENSIONS ARE IN INCHES

.XX = ±.1-
.XXX = ±.015- ANGULAR = ±1°
.XXXX = ±.005- FRACTIONAL = ±1/8

THIRD ANGLE PROJECTION



DRAWN BY SHAWN CROCKER 07/15/2021

CHANGED BY SHAWN CROCKER 07/03/2023

MATERIAL

1/8 ALU MILL

PART NO. TRSTBPLBM24

REV.

B

BIG MOUTH STEP BOX - 28.25 X 24 X 24 - X1 T-HANDLE - 9IN TOP STEP

SIZE A

DWG NO.

D7947

REV.

SCALE 1:20

WEIGHT

50.54 LB

SHEET

1 of 1

2

1

B

B

A

A