

2

1

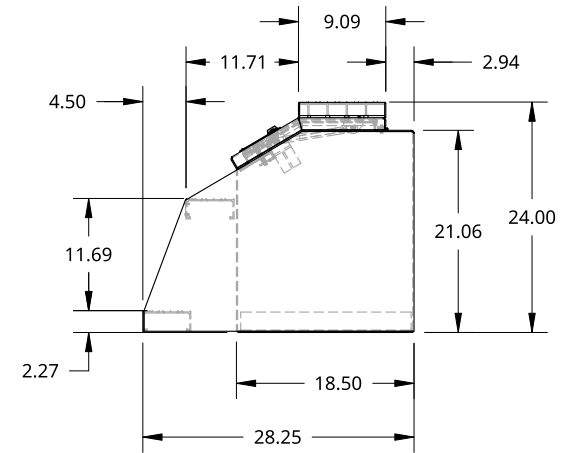
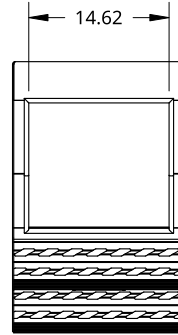
B

B

T-HANDLE LOCK WITH FLAT LOCKING BLADE

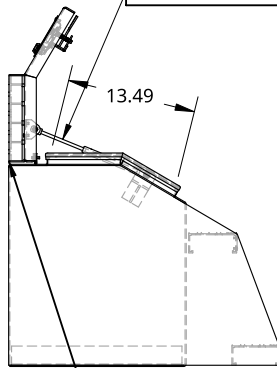
1/8 ALU MILL DOOR

1/8 ALU MILL BODY

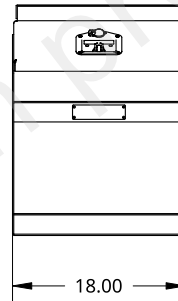


GAS SPRING DOOR HOLDER

13.49



FLUSH WITH BACK OF BOX WHEN OPEN TO 90 DEG



A

A

2

1

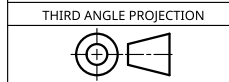
THIS DOCUMENT IS THE PROPERTY OF TREBOR MANUFACTURING. ANY UNAUTHORIZED REPRODUCTION WILL BE PROSECUTED TO THE FULL EXTENT OF THE LAW



PART NO.		TRSTBPLBM18		REV.	B
BIG MOUTH STEP BOX - 28.25 X 24 X 18 - X1 T-HANDLE - 9IN TOP STEP					

UNLESS OTHERWISE SPECIFIED, DIMENSIONS ARE IN INCHES  
 .XX = ±.1-  
 .XXX = ±.015-  
 .XXXX = ±.005-  
 ANGULAR = ±1°  
 FRACTIONAL = ±1/8

DRAWN BY	SHAWN CROCKER	07/15/2021
CHANGED BY	SHAWN CROCKER	07/03/2023



MATERIAL  
 1/8 ALU MILL

SIZE	A	DWG NO.	D7946	REV.	
SCALE	1:20	WEIGHT	41.56 LB	SHEET	1 of 1