

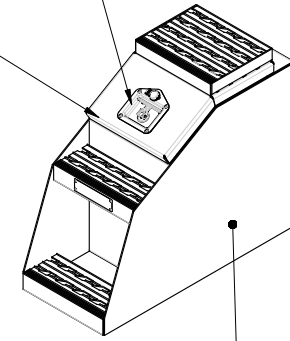
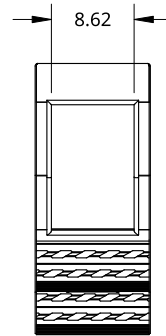
2

1

T-HANDLE LOCK WITH FLAT LOCKING BLADE

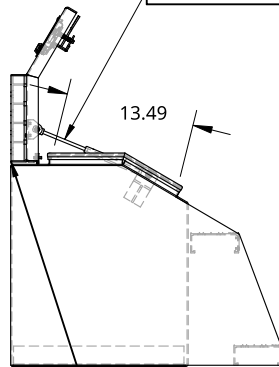
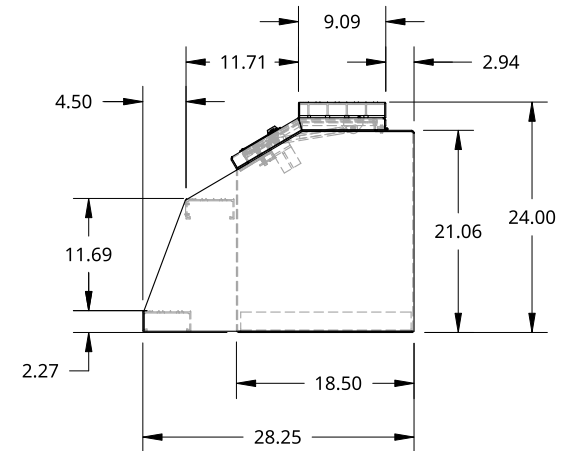
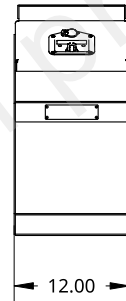
1/8 ALU MILL DOOR

1/8 ALU MILL BODY



GAS SPRING DOOR HOLDER

13.49

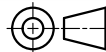
FLUSH WITH BACK OF BOX
WHEN OPEN TO 90 DEG

THIS DOCUMENT IS THE PROPERTY OF TREBOR
MANUFACTURING. ANY UNAUTHORIZED REPRODUCTION
WILL BE PROSECUTED TO THE FULL EXTENT OF THE LAW

UNLESS OTHERWISE SPECIFIED,
DIMENSIONS ARE IN INCHES

.XX = ±.1-
.XXX = ±.015- ANGULAR = ±1°
.XXXX = ±.005- FRACTIONAL = ±1/8

THIRD ANGLE PROJECTION



DRAWN BY SHAWN CROCKER 07/15/2021

CHANGED BY SHAWN CROCKER 07/03/2023

MATERIAL

1/8 ALU MILL

PART NO. TRSTBPLBM12

BIG MOUTH STEP BOX - 28.25 X 24 X 12 - X1 T-HANDLE - 9IN TOP STEP

SIZE A

DWG NO.

D7944

SCALE 1:20

WEIGHT

32.58 LB

SHEET

1 of 1

2

1

B

A

REV.

B

REV.