

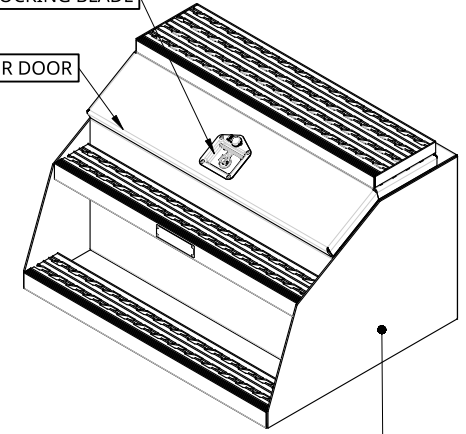
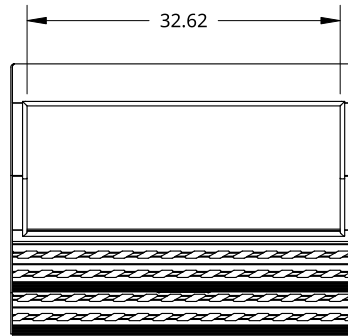
2

1

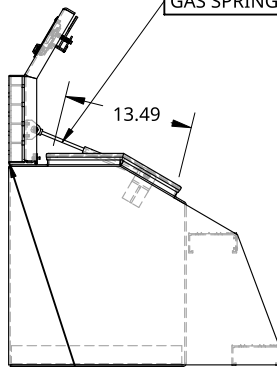
T-HANDLE LOCK WITH FLAT LOCKING BLADE

1/8 ALU CHECKER DOOR

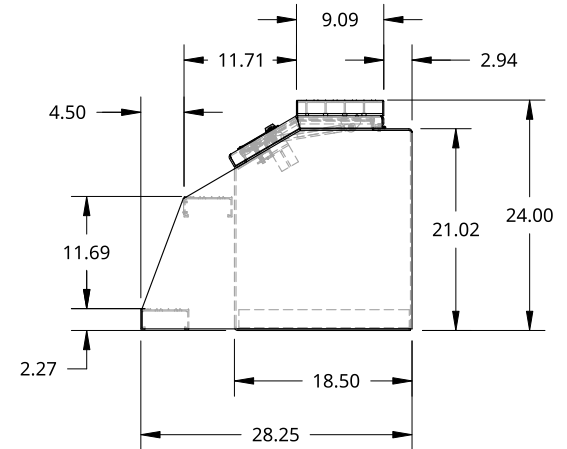
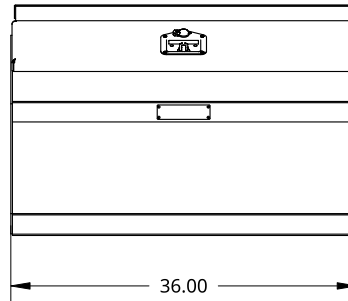
1/8 ALU CHECKER BODY



GAS SPRING DOOR HOLDER



FLUSH WITH BACK OF BOX WHEN OPEN TO 90 DEG



B

B

A

A

2

1

THIS DOCUMENT IS THE PROPERTY OF TREBOR MANUFACTURING. ANY UNAUTHORIZED REPRODUCTION WILL BE PROSECUTED TO THE FULL EXTENT OF THE LAW



PART NO. TRSTBBM36 REV. C

UNLESS OTHERWISE SPECIFIED, DIMENSIONS ARE IN INCHES

.XX = ±.1- ANGULAR = ±1°
.XXX = ±.015- FRACTIONAL = ±1/8
.XXXX = ±.005-

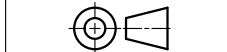
DRAWN BY SHAWN CROCKER 07/15/2021
CHANGED BY SHAWN CROCKER 06/28/2023

BIG MOUTH STEP BOX - 28.25 X 24 X 36 - X1 T-HANDLE - 9IN TOP STEP

THIRD ANGLE PROJECTION

MATERIAL

SIZE A DWG NO. D7943 REV. B



1/8 ALU CHECKER

SCALE 1:20 WEIGHT 72.49 LB SHEET 1 of 1