

2

1

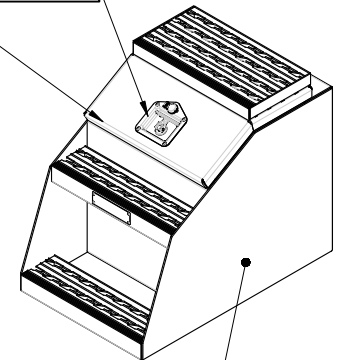
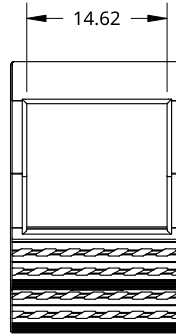
B

B

T-HANDLE LOCK WITH FLAT LOCKING BLADE

1/8 ALU CHECKER DOOR

1/8 ALU CHECKER BODY

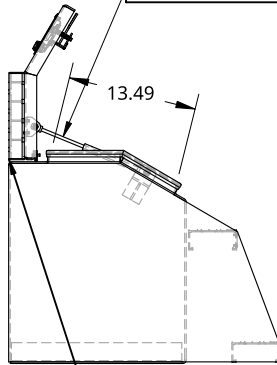


A

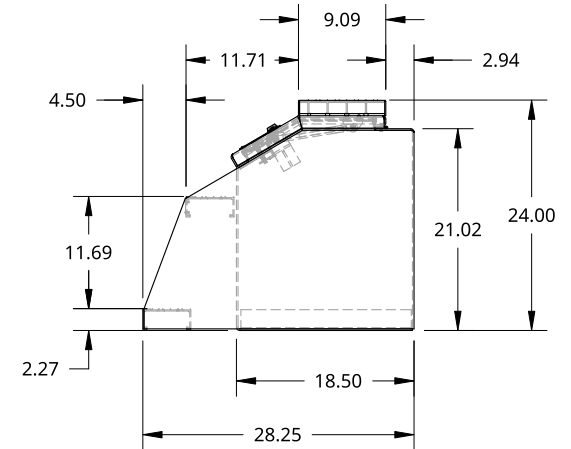
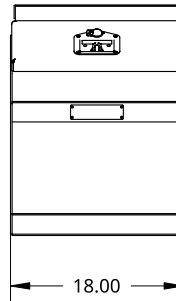
A

GAS SPRING DOOR HOLDER

13.49



FLUSH WITH BACK OF BOX WHEN OPEN TO 90 DEG



THIS DOCUMENT IS THE PROPERTY OF TREBOR MANUFACTURING. ANY UNAUTHORIZED REPRODUCTION WILL BE PROSECUTED TO THE FULL EXTENT OF THE LAW



PART NO. TRSTBBM18 REV. B

UNLESS OTHERWISE SPECIFIED, DIMENSIONS ARE IN INCHES

.XX = ±.1-
.XXX = ±.015- ANGULAR = ±1°
.XXXX = ±.005- FRACTIONAL = ±1/8

DRAWN BY SHAWN CROCKER 07/15/2021
CHANGED BY SHAWN CROCKER 06/28/2023

BIG MOUTH STEP BOX - 28.25 X 24 X 18 - X1 T-HANDLE - 9IN TOP STEP

THIRD ANGLE PROJECTION

MATERIAL

SIZE A DWG NO. D7941 REV. B



1/8 ALU CHECKER

SCALE 1:20 WEIGHT 44 LB SHEET 1 of 1

2

1