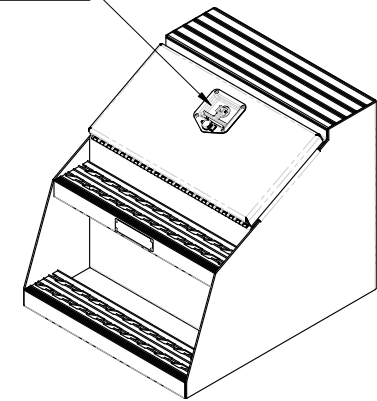
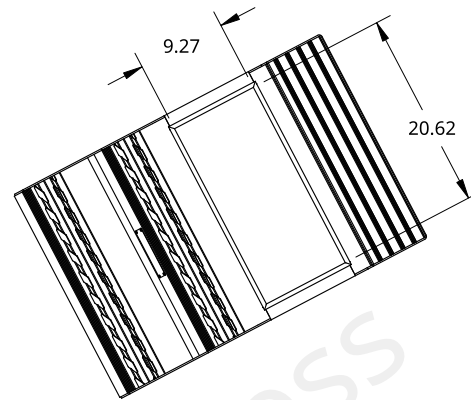


2

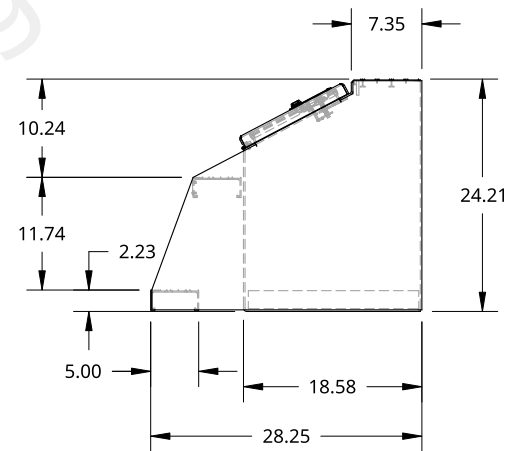
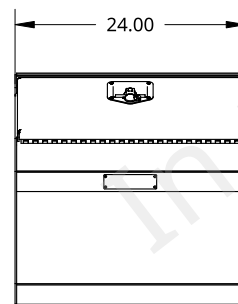
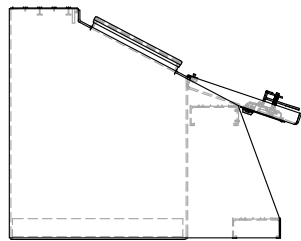
1

T-HANDLE LOCK WITH FLAT LOCKING BLADE



B

B



A

A

<small>THIS DOCUMENT IS THE PROPERTY OF TREBOR MANUFACTURING. ANY UNAUTHORIZED REPRODUCTION WILL BE PROSECUTED TO THE FULL EXTENT OF THE LAW</small>				PART NO. TRSTB24		REV.
<small>UNLESS OTHERWISE SPECIFIED, DIMENSIONS ARE IN INCHES .XX = ±.1- .XXX = ±.015- .XXXX = ±.005-</small>		<small>ANGULAR = ±1° FRACTIONAL = ±1/8</small>		STANDARD STEP TOOL BOX - 28.25IN DEEP X 24IN HIGH X 24IN WIDE - X1 T-HANDLE		REV.
THIRD ANGLE PROJECTION 		MATERIAL 1/8 ALU CHECKER		SIZE A	DWG NO. D9760	REV.
		SCALE 1:20	WEIGHT 49.76 LB	SHEET 1 of 1		

2

1