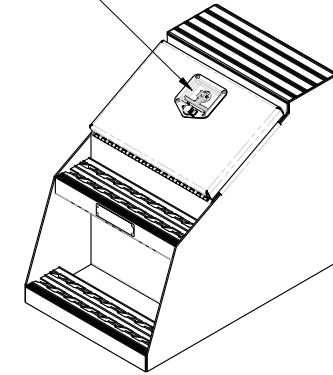
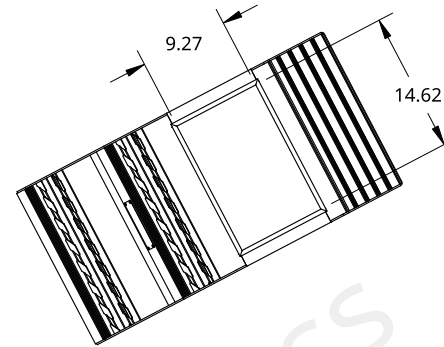


2

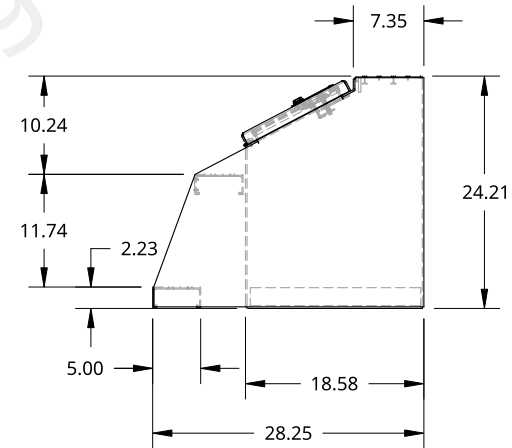
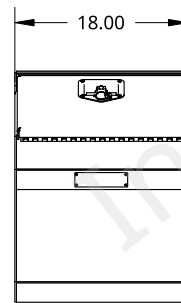
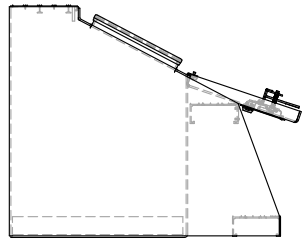
1

T-HANDLE LOCK WITH FLAT LOCKING BLADE





B

B



A

A

THIS DOCUMENT IS THE PROPERTY OF TREBOR MANUFACTURING. ANY UNAUTHORIZED REPRODUCTION WILL BE PROSECUTED TO THE FULL EXTENT OF THE LAW				PART NO. TRSTB18		REV.	
UNLESS OTHERWISE SPECIFIED, DIMENSIONS ARE IN INCHES .XX = ±.1- .XXX = ±.015- .XXXX = ±.005-				DRAWN BY SHAWN CROCKER 08/09/2021 CHANGED BY SHAWN CROCKER 06/26/2023		STANDARD STEP TOOL BOX - 28.25IN DEEP X 24IN HIGH X 18IN WIDE - X1 T-HANDLE	
THIRD ANGLE PROJECTION		MATERIAL		SIZE	DWG NO.	REV.	
		1/8 ALU CHECKER		A	D9759		
		SCALE	1:20	WEIGHT	41.12 LB	SHEET	1 of 1

2

1