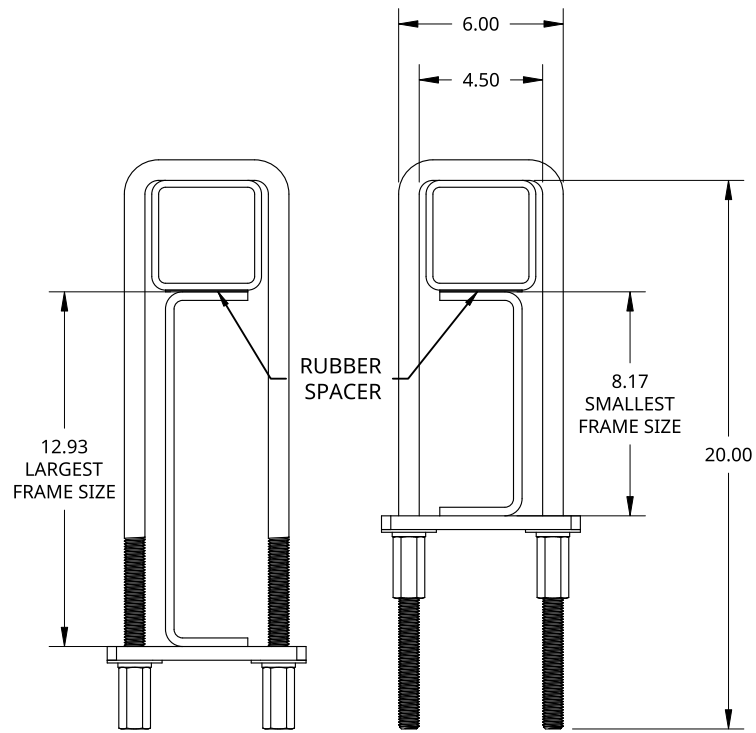


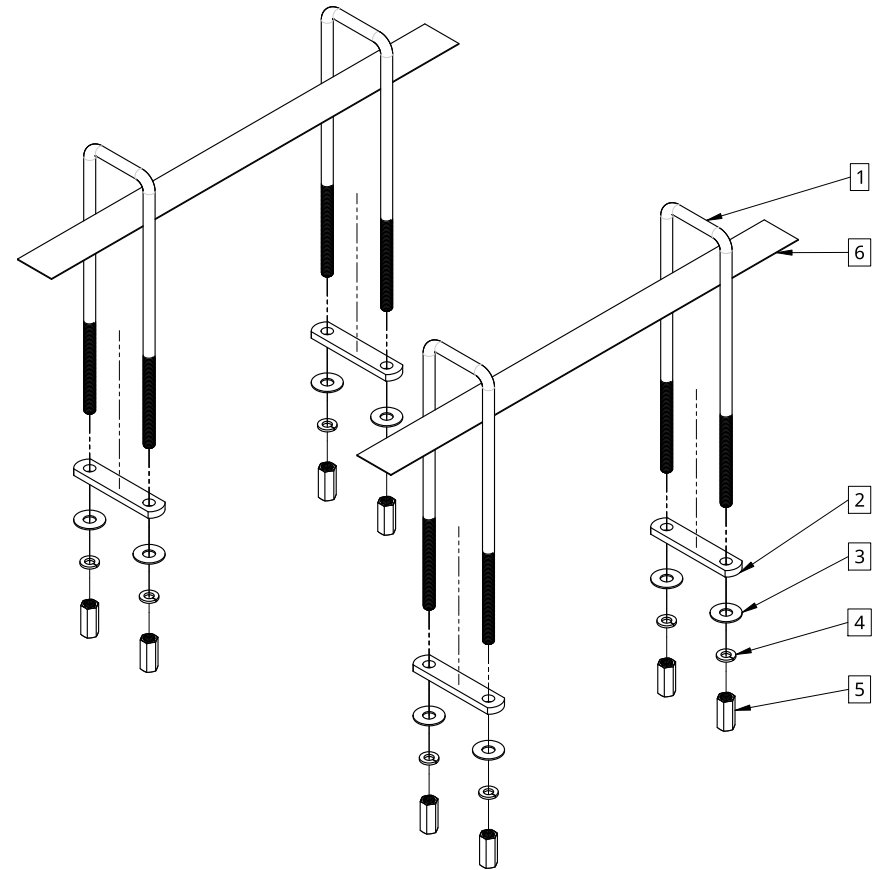
2

1

ITM	QTY	PARTNO	DESCRIPTION	MATERIAL
1	4	P4889	U-BOLT - 3/4-10 X 20IN INNER LENGTH X 4.5IN INNER WIDTH - 7IN THREAD LENGTH	STEEL GRADE 5
2	4	P4890	TIE PLATE FOR U-BOLT - 3/4-10 X 4.5IN INNER WIDTH	STEEL HOT ROLLED 44W
3	8	000252	WASHER - FLAT - 3/4	STEEL ZINC PLATED
4	8	000265	WASHER - LOCK - 3/4	STEEL ZINC PLATED
5	8	P4893	NUT - COUPLING - 3/4-10 X 2.25IN LONG	STEEL ZINC PLATED
6	2	P4894	SEPARATOR STRIP - 36IN LONG X 3IN WIDE	RUBBER



SCALE 1:7



THIS DOCUMENT IS THE PROPERTY OF TREBOR MANUFACTURING. ANY UNAUTHORIZED REPRODUCTION WILL BE PROSECUTED TO THE FULL EXTENT OF THE LAW		PART NO. TRUF14110		REV. A1
UNLESS OTHERWISE SPECIFIED, DIMENSIONS ARE IN INCHES .XX = ±.1- .XXX = ±.015- .XXXX = ±.005-		DRAWN SHAWN CROCKER 04/17/2021		CAB SHIELD U-BOLT KIT FOR FORESTRY CAB SHIELDS
THIRD ANGLE PROJECTION		MATERIAL STEEL GRADE 5		SIZE A
		DWG NO. D4887		REV. A1
SCALE 1:12		WEIGHT 30.76 LB		SHEET 1 of 1

2

1