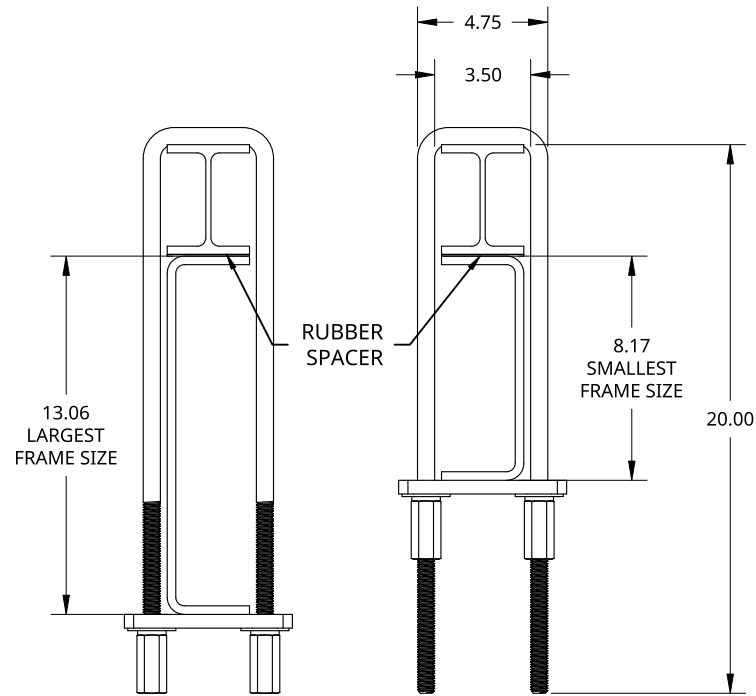


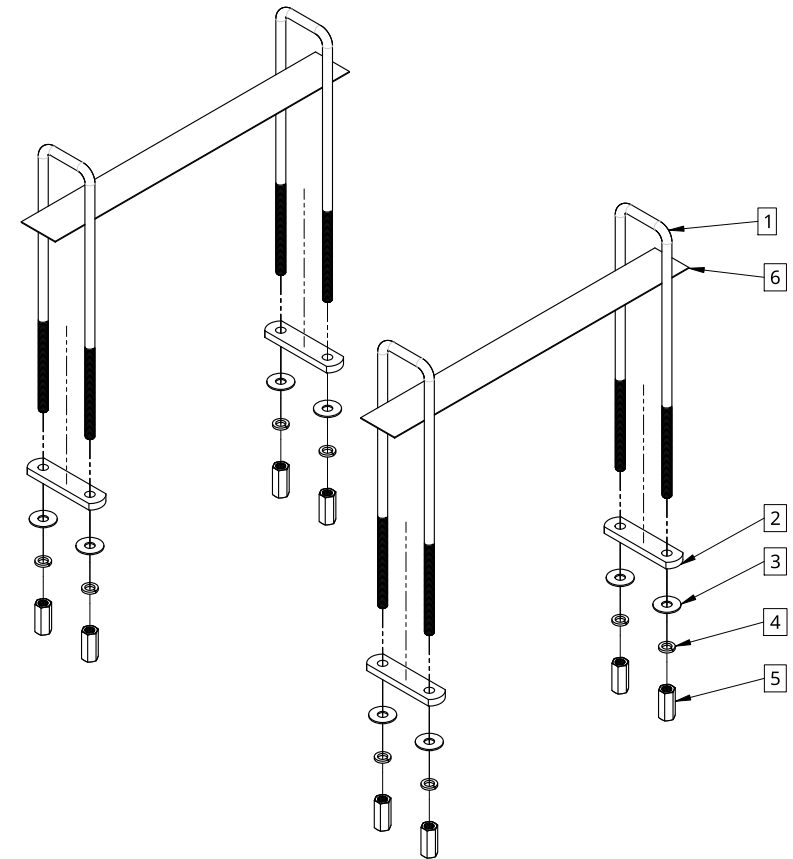
2

1

ITM	QTY	PARTNO	DESCRIPTION	MATERIAL
1	4	P4881	U-BOLT - 5/8-11 X 20IN INNER LENGTH X 3.5IN INNER WIDTH - 7IN THREAD LENGTH	STEEL GRADE 5
2	4	P4882	TIE PLATE FOR U-BOLT - 5/8-11 X 3.5IN INNER WIDTH	STEEL HOT ROLLED 44W
3	8	000249	WASHER - FLAT - 5/8	STEEL ZINC PLATED
4	8	000263	WASHER - LOCK - 5/8	STEEL ZINC PLATED
5	8	P4885	NUT - COUPLING - 5/8-11 X 2.12IN LONG	STEEL ZINC PLATED
6	2	P4886	SEPARATOR STRIP - 26IN LONG X 3IN WIDE	RUBBER



SCALE 1:7



THIS DOCUMENT IS THE PROPERTY OF TREBOR MANUFACTURING. ANY UNAUTHORIZED REPRODUCTION WILL BE PROSECUTED TO THE FULL EXTENT OF THE LAW		PART NO. <b>TRU14110</b>		REV. <b>A1</b>
UNLESS OTHERWISE SPECIFIED, DIMENSIONS ARE IN INCHES .XX = ±.1- .XXX = ±.015- .XXXX = ±.005-		DRAWN SHAWN CROCKER 04/17/2021		
THIRD ANGLE PROJECTION		MATERIAL <b>STEEL GRADE 5</b>		SIZE <b>A</b> DWG NO. <b>D4879</b> REV. <b>A1</b>
		SCALE <b>1:12</b>	WEIGHT <b>22.47 LB</b>	SHEET <b>1 of 1</b>

2

1