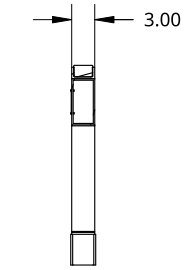
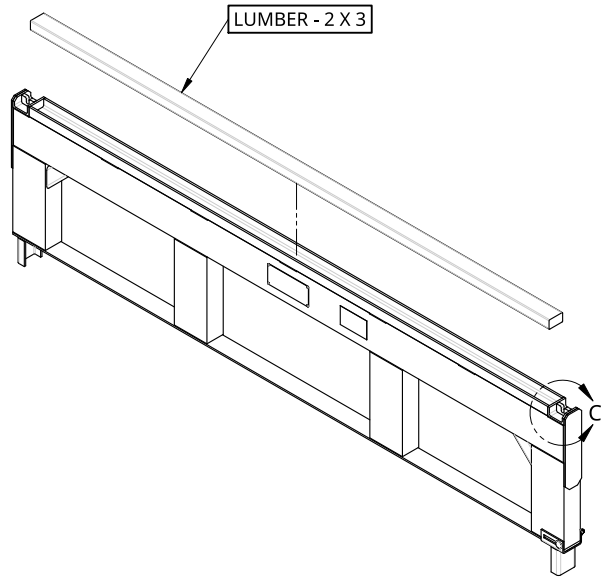
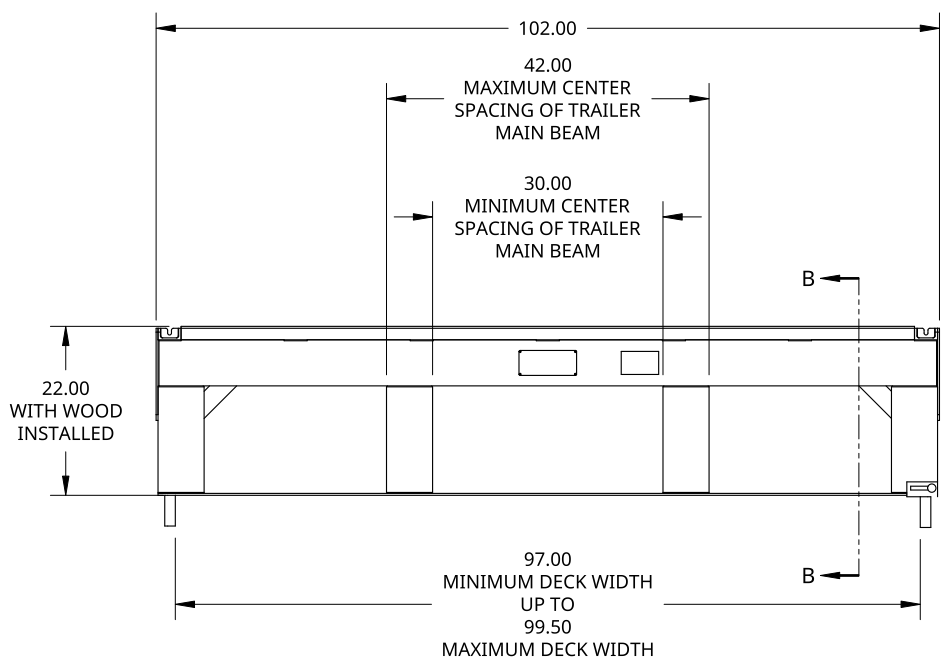


2

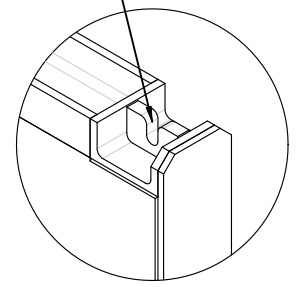
1

B

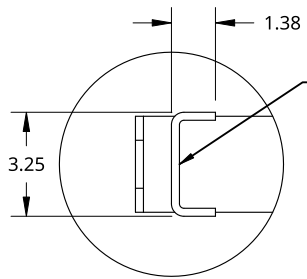
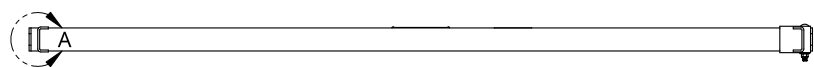
B



STABILIZING CHAIN IS LOCKED INTO SLOT



DETAIL C SCALE 1:6



DETAIL A SCALE 1:6

NEEDS TO FIT INTO TRAILER SIDE POCKET

THIS DOCUMENT IS THE PROPERTY OF TREBOR MANUFACTURING. ANY UNAUTHORIZED REPRODUCTION WILL BE PROSECUTED TO THE FULL EXTENT OF THE LAW



PART NO.	TRTRUST22	REV.	C
----------	-----------	------	---

20000LB CAP. DECK LEVELER - 22IN HIGH X 102IN WIDE

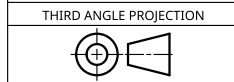
UNLESS OTHERWISE SPECIFIED, DIMENSIONS ARE IN INCHES

.XX = ±.1- ANGULAR = ±1°

.XXX = ±.015- FRACTIONAL = ±1/8

.XXXX = ±.005-

DRAWN BY	SHAWN CROCKER	08/25/2021
CHANGED BY	SHAWN CROCKER	11/18/2022



MATERIAL

ALUM. 6061-T6

SIZE	A	DWG NO.	D2230	REV.	B
SCALE	1:25	WEIGHT	90.82 LB	SHEET	1 of 1

2

1

A

A