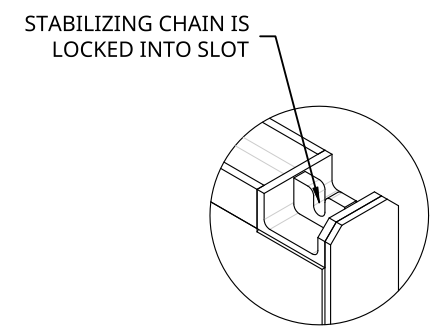
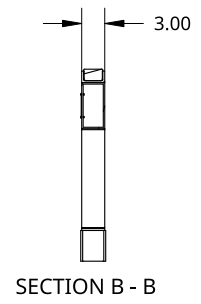
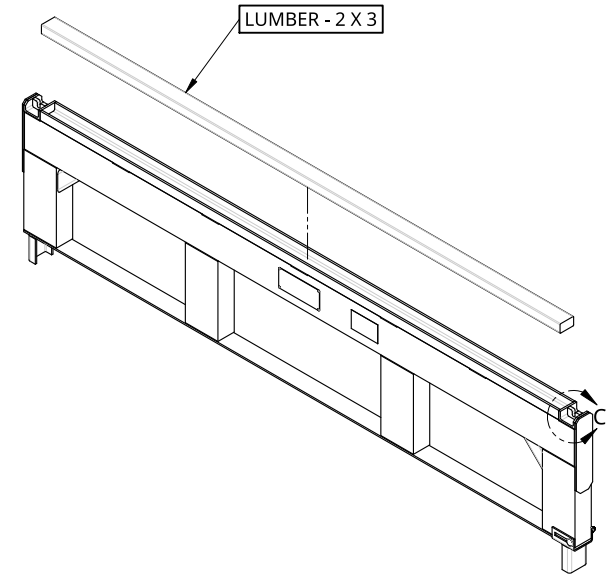
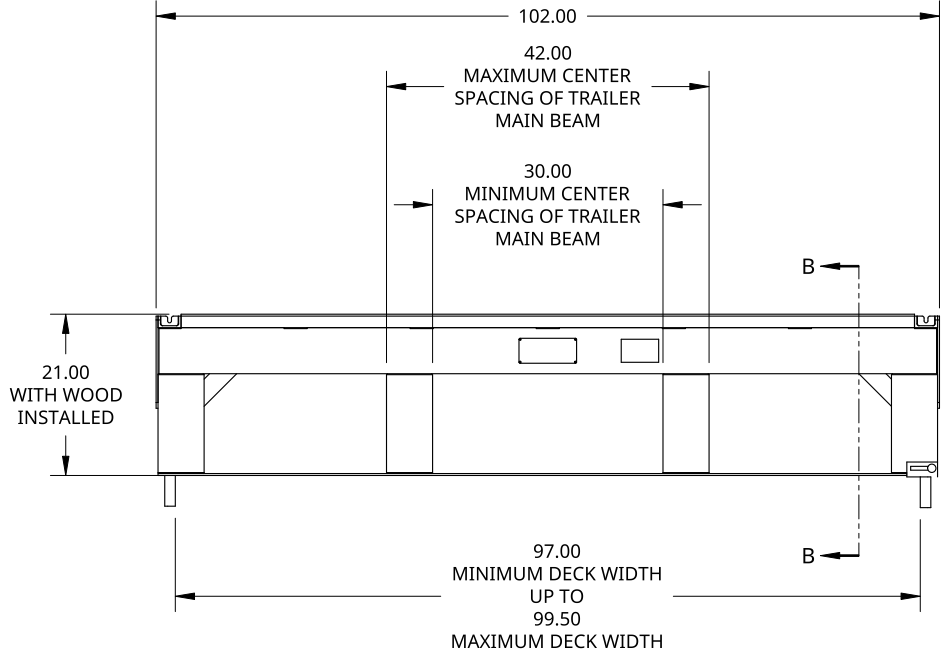


2

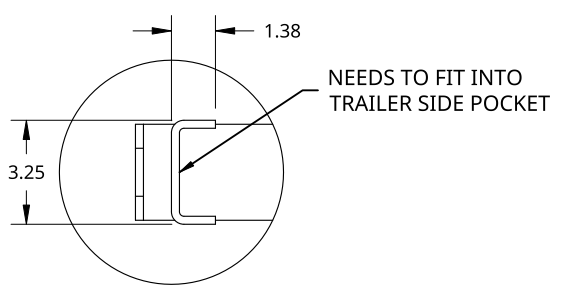
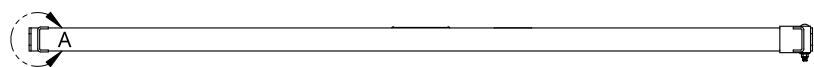
1

B

B



DETAIL C
SCALE 1:6



DETAIL A
SCALE 1:6

A

A

<small>THIS DOCUMENT IS THE PROPERTY OF TREBOR MANUFACTURING. ANY UNAUTHORIZED REPRODUCTION WILL BE PROSECUTED TO THE FULL EXTENT OF THE LAW</small>				PART NO. TRTRUST21	REV. B
UNLESS OTHERWISE SPECIFIED, DIMENSIONS ARE IN INCHES .XX = ±.1- .XXX = ±.015- .XXXX = ±.005-		ANGULAR = ±1° FRACTIONAL = ±1/8		20000LB CAP. DECK LEVELER - 21IN HIGH X 102IN WIDE	
THIRD ANGLE PROJECTION 		DRAWN BY SHAWN CROCKER CHANGED BY SHAWN CROCKER	08/25/2021 11/18/2022	SIZE A	DWG NO. D10545
		MATERIAL ALUM. 6061-T6		SCALE 1:25	WEIGHT 89.55 LB
				SHEET 1 of 1	REV. B

2

1