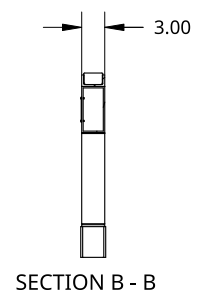
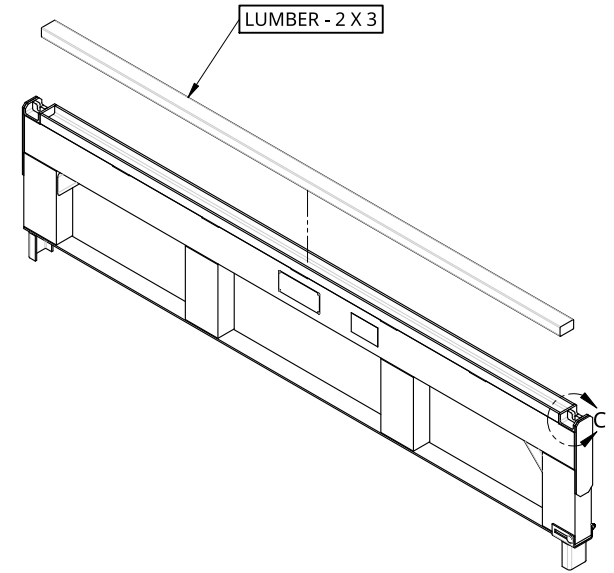
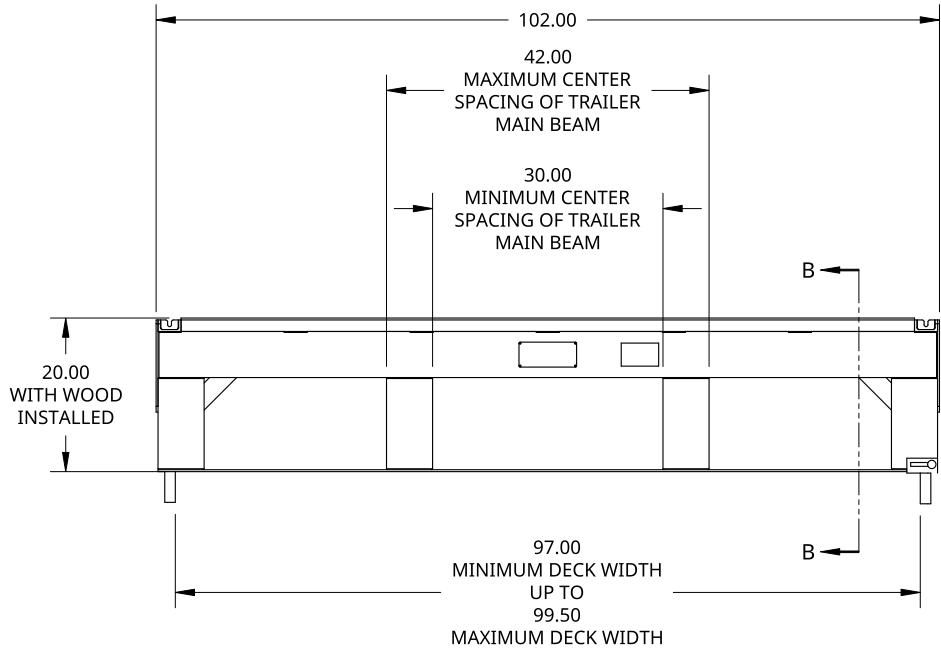


2

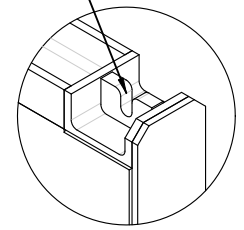
1

B

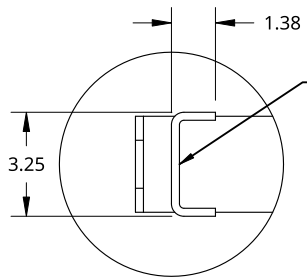
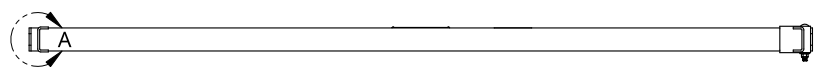
B



STABILIZING CHAIN IS LOCKED INTO SLOT



DETAIL C SCALE 1:6



NEEDS TO FIT INTO TRAILER SIDE POCKET

DETAIL A SCALE 1:6

A

A

THIS DOCUMENT IS THE PROPERTY OF TREBOR MANUFACTURING. ANY UNAUTHORIZED REPRODUCTION WILL BE PROSECUTED TO THE FULL EXTENT OF THE LAW



PART NO. TRTRUST20 REV. B

20000LB CAP. DECK LEVELER - 20IN HIGH X 102IN WIDE

UNLESS OTHERWISE SPECIFIED, DIMENSIONS ARE IN INCHES

.XX = ±.1-
.XXX = ±.015-
.XXXX = ±.005-

ANGULAR = ±1°
FRACTIONAL = ±1/8

DRAWN BY	SHAWN CROCKER	08/25/2021
CHANGED BY	SHAWN CROCKER	11/18/2022

THIRD ANGLE PROJECTION

MATERIAL



ALUM. 6061-T6

SIZE A DWG NO. D3842 REV. B

SCALE 1:25 WEIGHT 88.28 LB SHEET 1 of 1

2

1