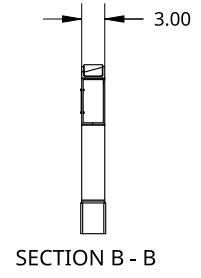
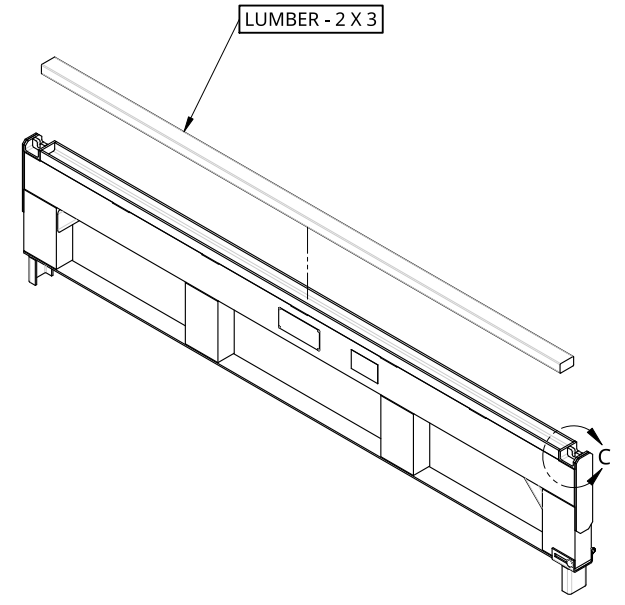
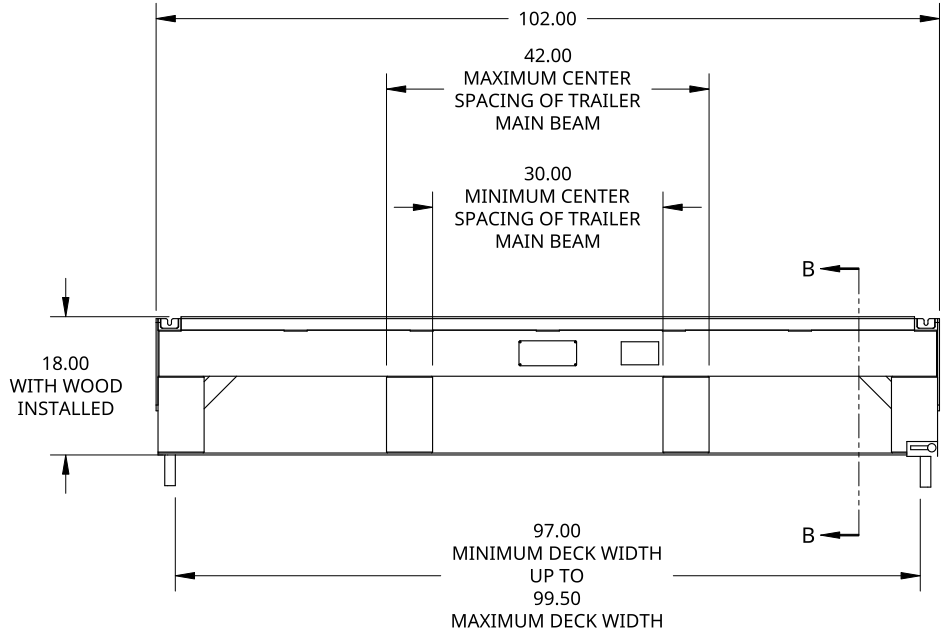


2

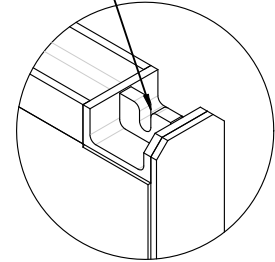
1

B

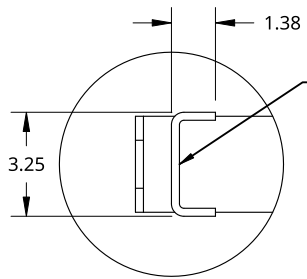
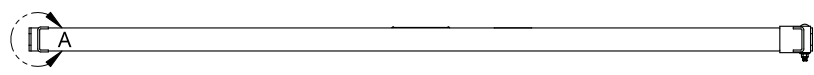
B



STABILIZING CHAIN IS
LOCKED INTO SLOT



DETAIL C
SCALE 1:6



NEEDS TO FIT INTO
TRAILER SIDE POCKET

DETAIL A
SCALE 1:6

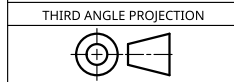
A

A

THIS DOCUMENT IS THE PROPERTY OF TREBOR
MANUFACTURING. ANY UNAUTHORIZED REPRODUCTION
WILL BE PROSECUTED TO THE FULL EXTENT OF THE LAW



UNLESS OTHERWISE SPECIFIED,
DIMENSIONS ARE IN INCHES
.XX = ±.1-
.XXX = ±.015- ANGULAR = ±1°
.XXXX = ±.005- FRACTIONAL = ±1/8



PART NO. TRTRUST18 REV. B

20000LB CAP. DECK LEVELER - 18IN HIGH X 102IN WIDE

MATERIAL ALUM. 6061-T6

SIZE A DWG. NO. D2225 REV. B

SCALE 1:25 WEIGHT 85.74 LB SHEET 1 of 1

2

1