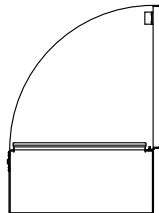
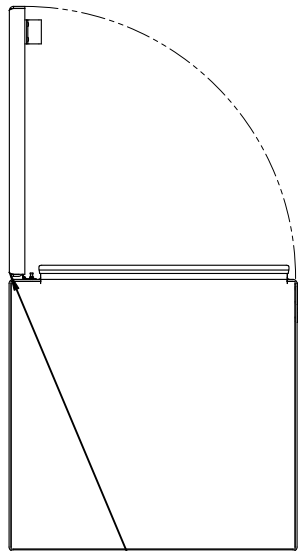


FLUSH OPENING LID OPTION (SHOWN)

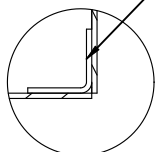


NOT FLUSH OPENING LID OPTION

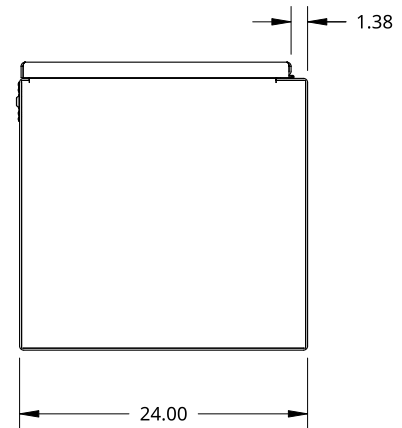
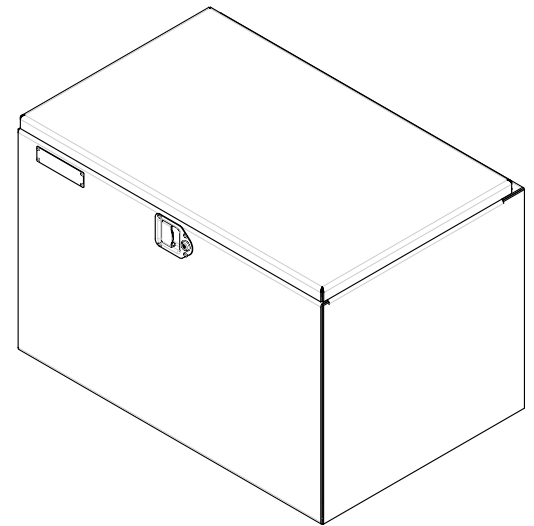
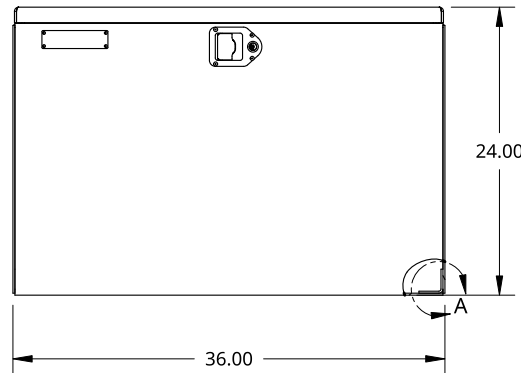
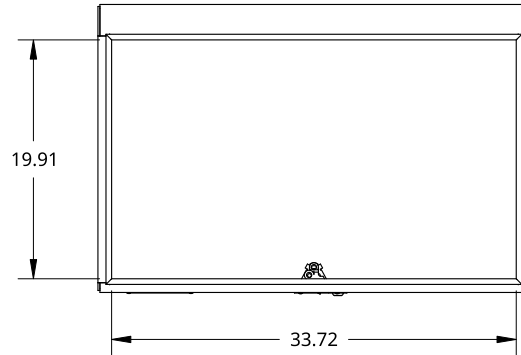


LID IS FLUSH WITH BACK WHEN OPENED TO 90 DEG

INNER REINFORCEMENT ANGLE BOTH SIDES



DETAIL A SCALE 1:6



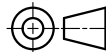
THIS DOCUMENT IS THE PROPERTY OF TREBOR MANUFACTURING. ANY UNAUTHORIZED REPRODUCTION WILL BE PROSECUTED TO THE FULL EXTENT OF THE LAW

UNLESS OTHERWISE SPECIFIED, DIMENSIONS ARE IN INCHES

.XX = ±.1-
.XXX = ±.015-
.XXXX = ±.005-

ANGULAR = ±1°
FRACTIONAL = ±1/8

THIRD ANGLE PROJECTION



DRAWN SHAWN CROCKER 08/01/2021

MATERIAL 1/8 ALU CHECKER

PART NO. TRTC2436

TOP COVER STYLE TOOL BOX - 24 X 24 X 36 - X1 CLICK HANDLE

SIZE A DWG. NO. D9132

SCALE 1:16 WEIGHT 67.57 LB SHEET 1 of 1

REV. B

REV. B

SHEET 1 of 1