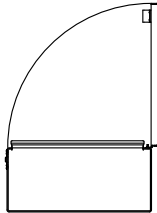
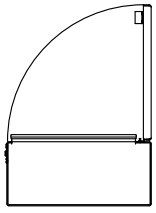


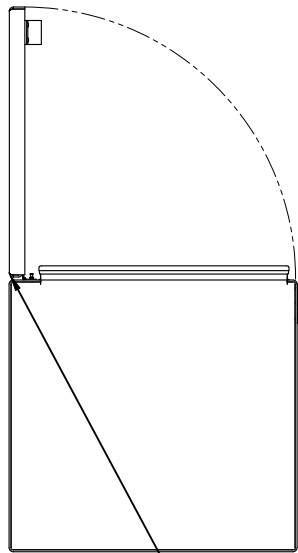
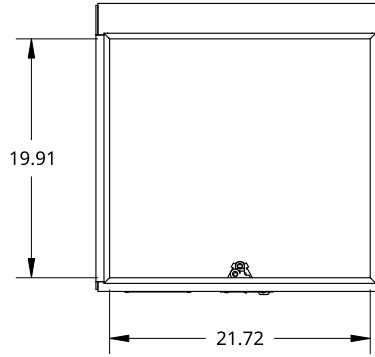
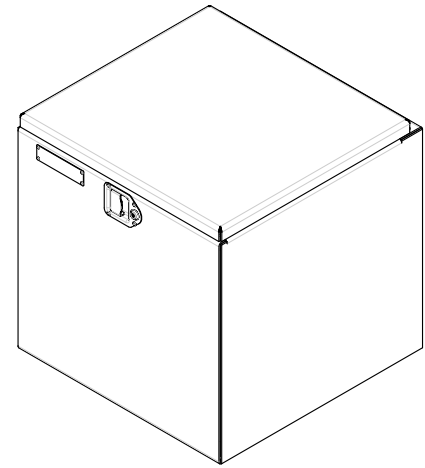
2

1

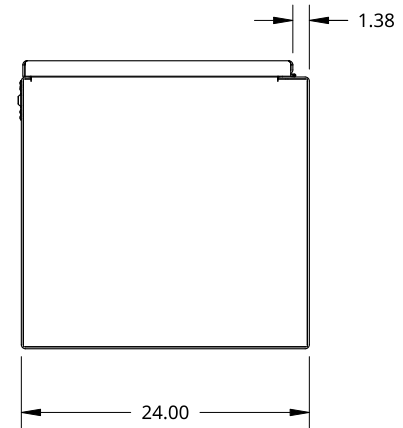
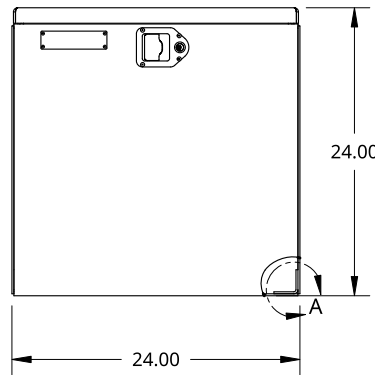


FLUSH OPENING LID
OPTION (SHOWN)

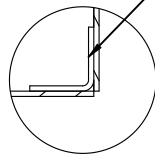
NOT FLUSH OPENING
LID OPTION



LID IS FLUSH WITH
BACK WHEN
OPENED TO 90 DEG



INNER REINFORCEMENT
ANGLE BOTH SIDES



DETAIL A
SCALE 1:6

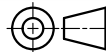
THIS DOCUMENT IS THE PROPERTY OF TREBOR
MANUFACTURING. ANY UNAUTHORIZED REPRODUCTION
WILL BE PROSECUTED TO THE FULL EXTENT OF THE LAW



UNLESS OTHERWISE SPECIFIED,
DIMENSIONS ARE IN INCHES

.XX = ±.1-
.XXX = ±.015- ANGULAR = ±1°
.XXXX = ±.005- FRACTIONAL = ±1/8

THIRD ANGLE PROJECTION



DRAWN SHAWN CROCKER 08/01/2021

MATERIAL
1/8 ALU CHECKER

PART NO. TRTC2424 REV. B

TOP COVER STYLE TOOL BOX - 24 X 24 X 24 - X1 CLICK HANDLE

SIZE A DWG NO. D9131 REV. B

SCALE 1:16 WEIGHT 51.25 LB SHEET 1 of 1

2

1

B

B

A

A