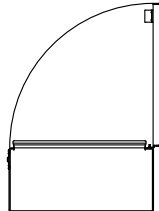
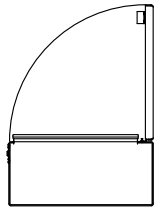


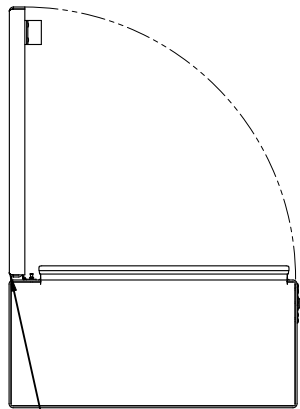
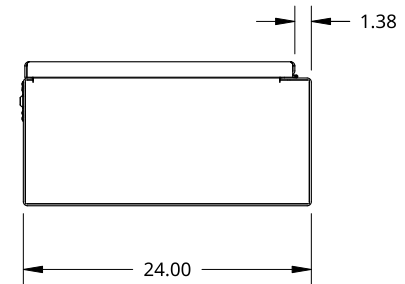
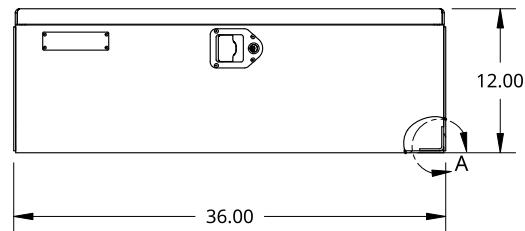
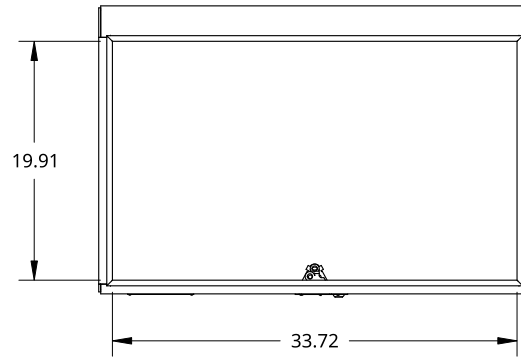
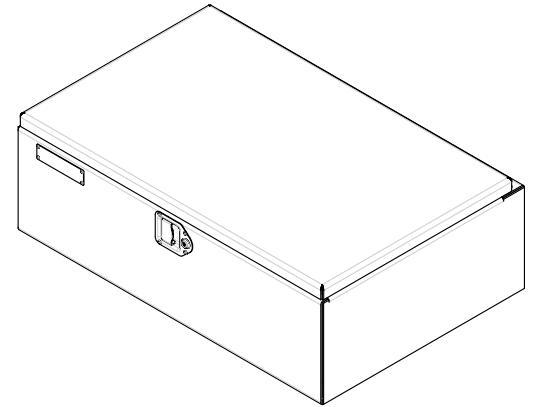
2

1



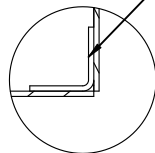
FLUSH OPENING LID
OPTION (SHOWN)

NOT FLUSH OPENING
LID OPTION



LID IS FLUSH WITH
BACK WHEN
OPENED TO 90 DEG

INNER REINFORCEMENT
ANGLE BOTH SIDES



DETAIL A
SCALE 1:6

THIS DOCUMENT IS THE PROPERTY OF TREBOR
MANUFACTURING. ANY UNAUTHORIZED REPRODUCTION
WILL BE PROSECUTED TO THE FULL EXTENT OF THE LAW



PART NO. TRTC1236

REV. B

UNLESS OTHERWISE SPECIFIED,
DIMENSIONS ARE IN INCHES

.XX = ±.1-
.XXX = ±.015-
.XXXX = ±.005-
ANGULAR = ±1°
FRACTIONAL = ±1/8

TOP COVER STYLE TOOL BOX - 24 X 12 X 36 - X1 CLICK HANDLE

THIRD ANGLE PROJECTION



MATERIAL

1/8 ALU CHECKER

SIZE A DWG NO. D9119

REV. B

SCALE 1:16 WEIGHT 48.79 LB SHEET 1 of 1

2

1

B

B

A

A