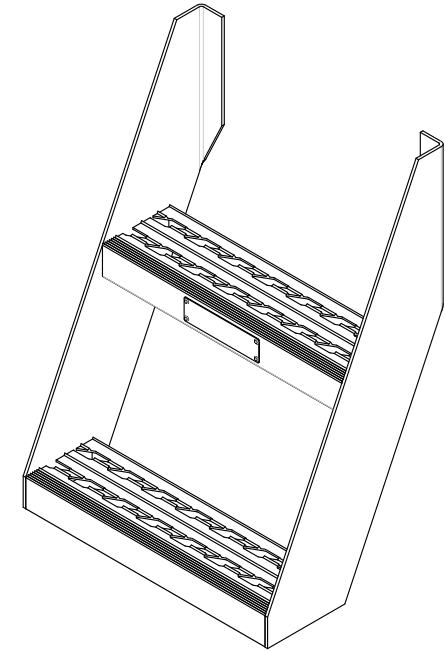
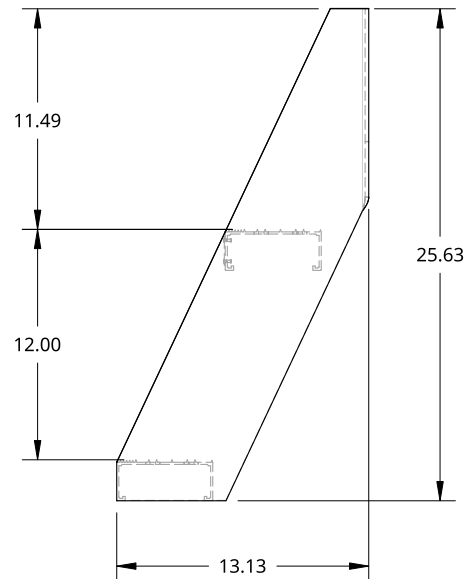
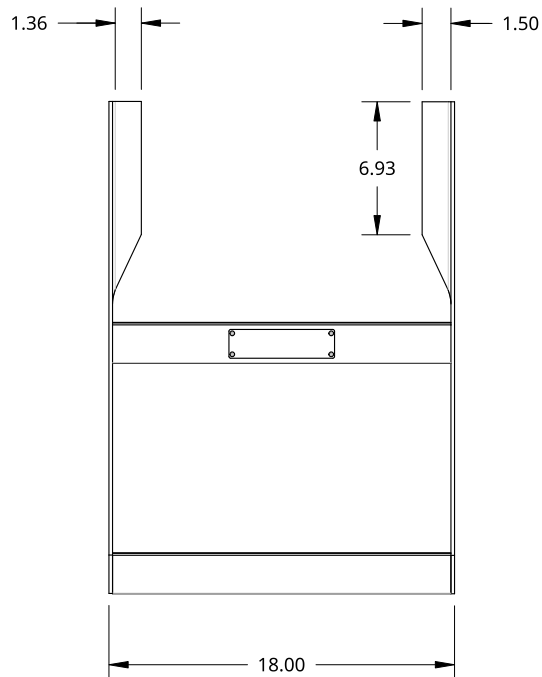


2

1

B

B





A

A

2

1

| | | | | | | |
|--|--|---|--|--|-----------------------|---------------------|
| <small>THIS DOCUMENT IS THE PROPERTY OF TREBOR MANUFACTURING. ANY UNAUTHORIZED REPRODUCTION WILL BE PROSECUTED TO THE FULL EXTENT OF THE LAW</small> | |  | | PART NO. TRSTEP18 | | REV. B |
| <small>UNLESS OTHERWISE SPECIFIED, DIMENSIONS ARE IN INCHES .XX = ±.1- .XXX = ±.015- .XXXX = ±.005-</small> | | <small>ANGULAR = ±1° FRACTIONAL = ±1/8</small> | | STEP LADDER FOR BOLTING TO THE SIDE OF TRUCK FRAME - 18IN WIDE | | |
| DRAWN SHAWN CROCKER 08/24/2021 | | MATERIAL ALUMINUM | | SIZE A | DWG NO. D1270 | REV. B |
| THIRD ANGLE PROJECTION  | | | | SCALE 1:10 | WEIGHT 9.45 LB | SHEET 1 of 1 |