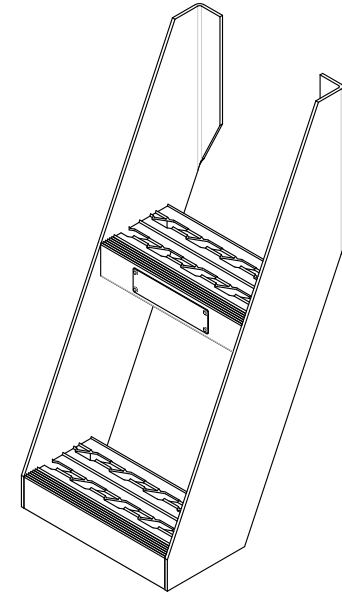
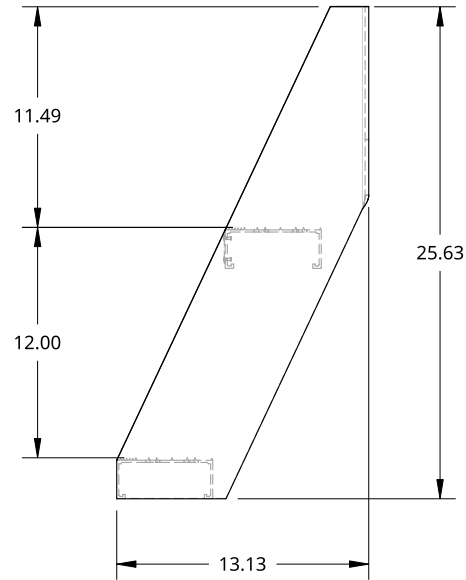
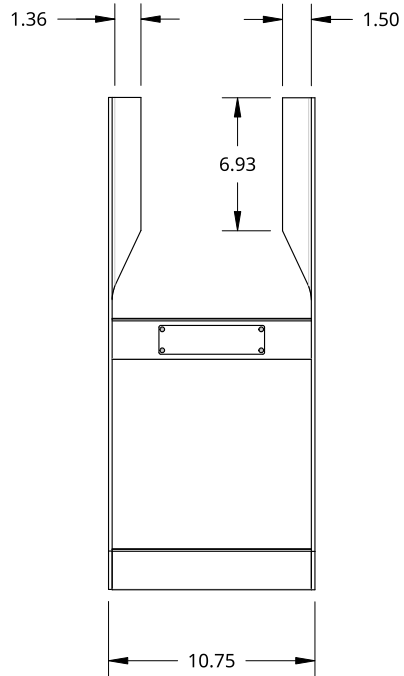


2

1



B

B



A

A

| | | | | | |
|--|--|---|--|---|-----------------------|
| <small>THIS DOCUMENT IS THE PROPERTY OF TREBOR MANUFACTURING. ANY UNAUTHORIZED REPRODUCTION WILL BE PROSECUTED TO THE FULL EXTENT OF THE LAW</small> | |  | | PART NO. TRSTEP10.75 | REV. B |
| <small>UNLESS OTHERWISE SPECIFIED, DIMENSIONS ARE IN INCHES .XX = ±.1- .XXX = ±.015- .XXXX = ±.005-</small> | | <small>ANGULAR = ±1° FRACTIONAL = ±1/8</small> | | STEP LADDER FOR BOLTING TO THE SIDE OF TRUCK FRAME - 10.75IN WIDE | |
| DRAWN SHAWN CROCKER 11/02/2020 | | MATERIAL ALUMINUM | | SIZE A | DWG. NO. D0066 |
| THIRD ANGLE PROJECTION  | | SCALE 1:10 | | WEIGHT 7.94 LB | SHEET 1 of 1 |

2

1