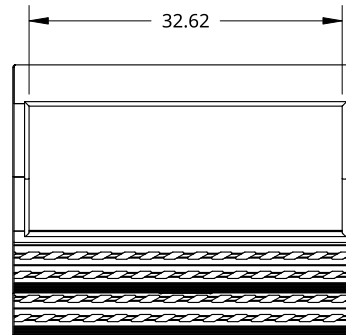


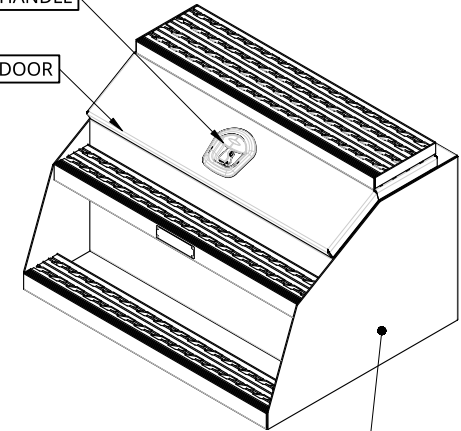
2

1



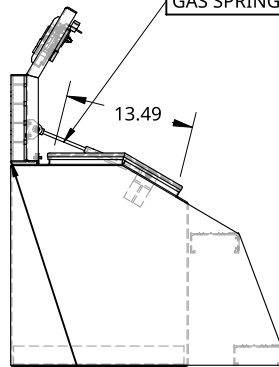
LOCKING WHALE TAIL HANDLE

1/8 ALU MILL DOOR

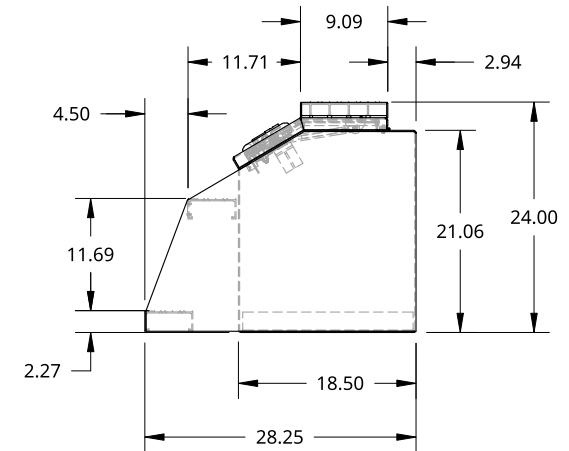
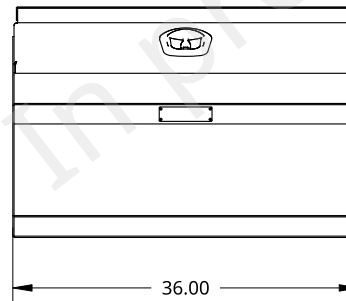


1/8 ALU MILL BODY

GAS SPRING DOOR HOLDER



FLUSH WITH BACK OF BOX WHEN OPEN TO 90 DEG



B

B

A

A

2

1

THIS DOCUMENT IS THE PROPERTY OF TREBOR MANUFACTURING. ANY UNAUTHORIZED REPRODUCTION WILL BE PROSECUTED TO THE FULL EXTENT OF THE LAW



PART NO. TRSTBPLBM36WT

REV. B

UNLESS OTHERWISE SPECIFIED, DIMENSIONS ARE IN INCHES

.XX = ±.1-  
.XXX = ±.015-  
.XXXX = ±.005-  
ANGULAR = ±1°  
FRACTIONAL = ±1/8

DRAWN BY	SHAWN CROCKER	07/15/2021
CHANGED BY	SHAWN CROCKER	07/04/2023

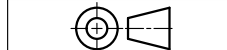
BIG MOUTH STEP BOX - 28.25 X 24 X 36 - X1 WHALE TAIL - 9IN TOP STEP

THIRD ANGLE PROJECTION

MATERIAL

SIZE A DWG NO. D7958

REV.



1/8 ALU MILL

SCALE	1:20	WEIGHT	68.48 LB	SHEET	1 of 1
-------	------	--------	----------	-------	--------

Interprogress