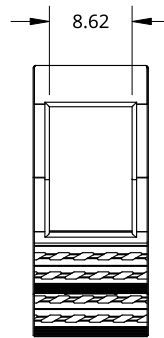


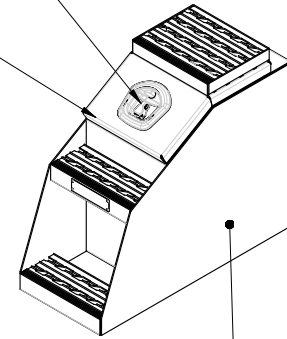
2

1



LOCKING WHALE TAIL HANDLE

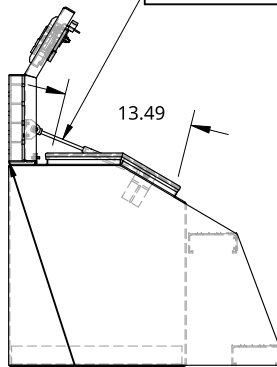
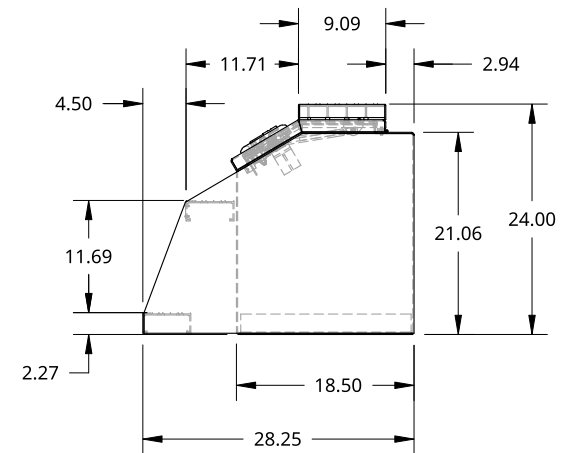
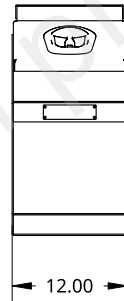
1/8 ALU MILL DOOR



1/8 ALU MILL BODY

GAS SPRING DOOR HOLDER

13.49

FLUSH WITH BACK OF BOX
WHEN OPEN TO 90 DEG

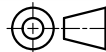
THIS DOCUMENT IS THE PROPERTY OF TREBOR
MANUFACTURING. ANY UNAUTHORIZED REPRODUCTION
WILL BE PROSECUTED TO THE FULL EXTENT OF THE LAW

UNLESS OTHERWISE SPECIFIED,
DIMENSIONS ARE IN INCHES

.XX = ±.1-
.XXX = ±.015-
.XXXX = ±.005-

ANGULAR = ±1°
FRACTIONAL = ±1/8

THIRD ANGLE PROJECTION



DRAWN BY SHAWN CROCKER 07/15/2021

CHANGED BY SHAWN CROCKER 07/04/2023

MATERIAL

1/8 ALU MILL

PART NO.

TRSTBPLBM12WT

REV.

B

BIG MOUTH STEP BOX - 28.25 X 24 X 12 - X1 WHALE TAIL - 9IN TOP STEP

SIZE

A

DWG. NO.

D7954

REV.

SCALE 1:20

WEIGHT

32.56 LB

SHEET

1 of 1

2

1

B

A