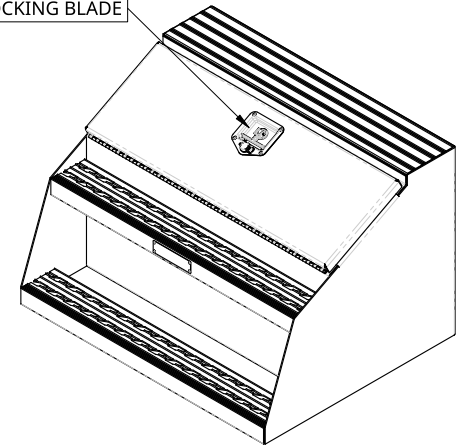
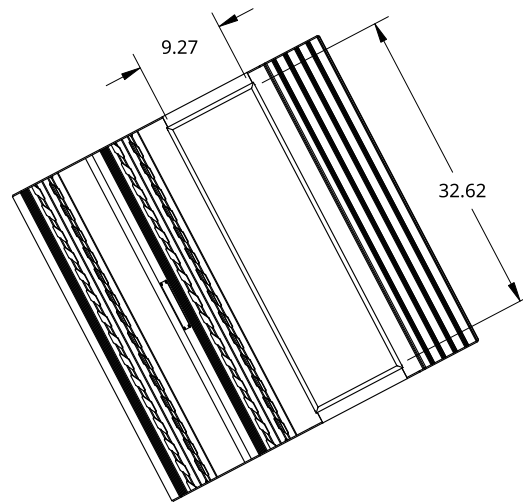


2

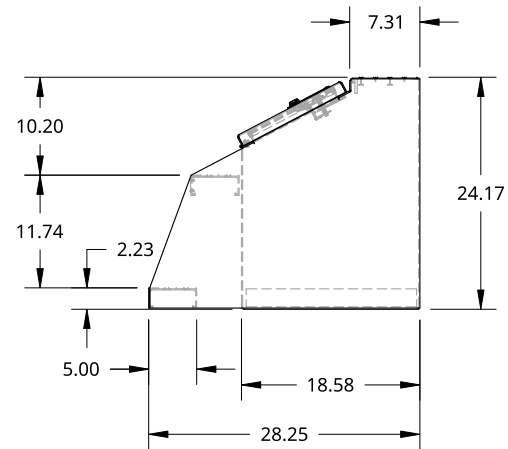
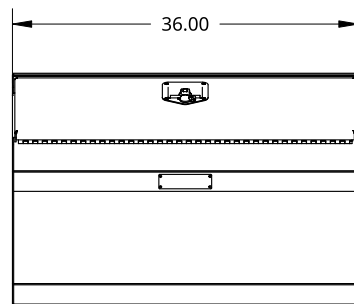
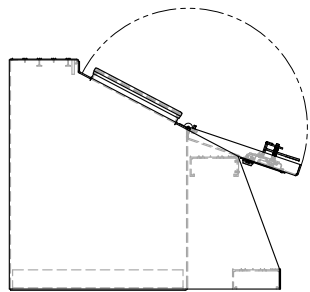
1

T-HANDLE LOCK WITH FLAT LOCKING BLADE



B

B



A

A

THIS DOCUMENT IS THE PROPERTY OF TREBOR MANUFACTURING. ANY UNAUTHORIZED REPRODUCTION WILL BE PROSECUTED TO THE FULL EXTENT OF THE LAW

UNLESS OTHERWISE SPECIFIED, DIMENSIONS ARE IN INCHES

.XX = ±.1-

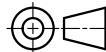
.XXX = ±.015-

.XXXX = ±.005-

ANGULAR = ±1°

FRACTIONAL = ±1/8

THIRD ANGLE PROJECTION



DRAWN

SHAWN CROCKER

08/09/2021

MATERIAL

1/8 ALU MILL

PART NO.

TRSTBPL36

REV.

A1

STANDARD STEP TOOL BOX - 28.25IN DEEP X 24IN HIGH X 36IN WIDE - X1 T-HANDLE

SIZE

A

DWG NO.

D9766

REV.

A

SCALE 1:20

WEIGHT

64.58 LB

SHEET

1 of 1

2

1