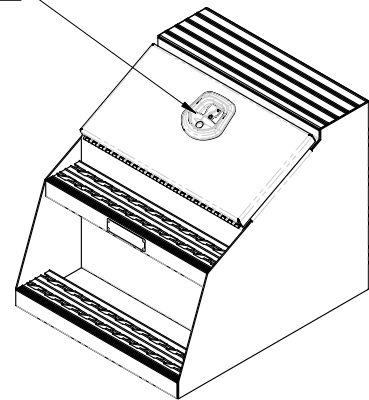
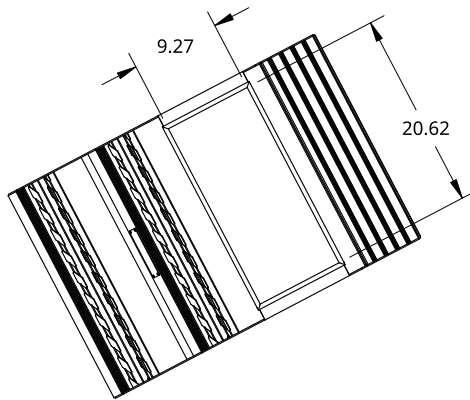


2

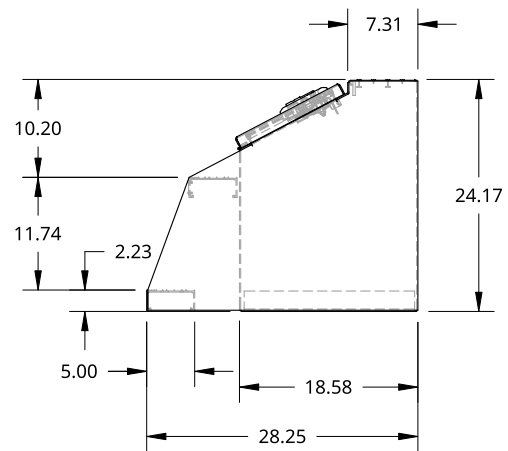
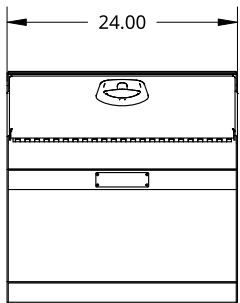
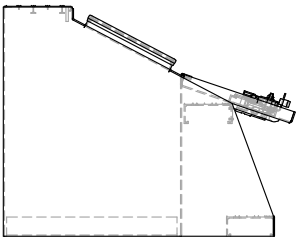
1

LOCKING WHALE TAIL HANDLE



B

B



A

A

<small>THIS DOCUMENT IS THE PROPERTY OF TREBOR MANUFACTURING. ANY UNAUTHORIZED REPRODUCTION WILL BE PROSECUTED TO THE FULL EXTENT OF THE LAW</small>				PART NO. <b>TRSTBPL24WT</b>	REV. <b>A1</b>
<small>UNLESS OTHERWISE SPECIFIED, DIMENSIONS ARE IN INCHES .XX = ±.1- .XXX = ±.015- .XXXX = ±.005- ANGULAR = ±1° FRACTIONAL = ±1/8</small>		DRAWN BY SHAWN CROCKER CHANGED BY SHAWN CROCKER	08/09/2021 06/27/2023	STANDARD STEP TOOL BOX - 28.25IN DEEP X 24IN HIGH X 24IN WIDE - X1 WHALE TAIL	
THIRD ANGLE PROJECTION 		MATERIAL <b>1/8 ALU MILL</b>		SIZE <b>A</b>	DWG NO. <b>D32185</b>
		SCALE <b>1:20</b>	WEIGHT <b>46.72 LB</b>	SHEET <b>1 of 1</b>	

2

1