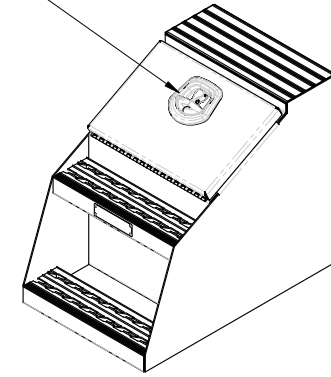
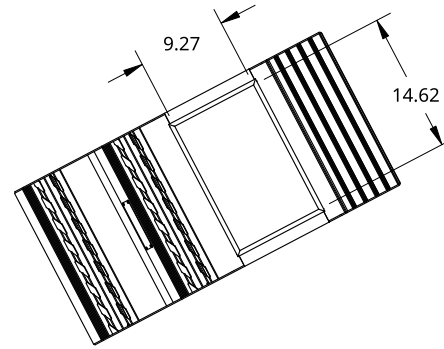


2

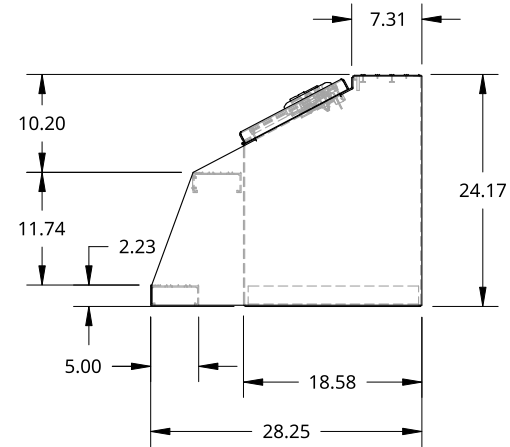
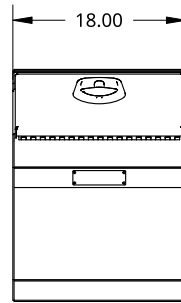
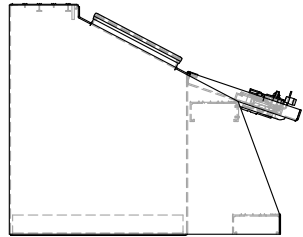
1

LOCKING WHALE TAIL HANDLE





B

B



A

A

THIS DOCUMENT IS THE PROPERTY OF TREBOR MANUFACTURING. ANY UNAUTHORIZED REPRODUCTION WILL BE PROSECUTED TO THE FULL EXTENT OF THE LAW				PART NO. TRSTBPL18WT		REV. A1
UNLESS OTHERWISE SPECIFIED, DIMENSIONS ARE IN INCHES .XX = ±.1- .XXX = ±.015- .XXXX = ±.005-				DRAWN BY SHAWN CROCKER 08/09/2021 CHANGED BY SHAWN CROCKER 06/27/2023		STANDARD STEP TOOL BOX - 28.25IN DEEP X 24IN HIGH X 18IN WIDE - X1 WHALE TAIL
THIRD ANGLE PROJECTION		MATERIAL 1/8 ALU MILL		SIZE A	DWG NO. D32182	REV. A
				SCALE 1:20	WEIGHT 38.59 LB	SHEET 1 of 1

2

1