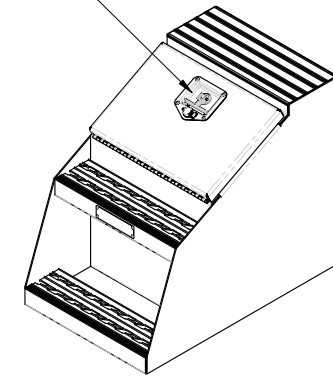
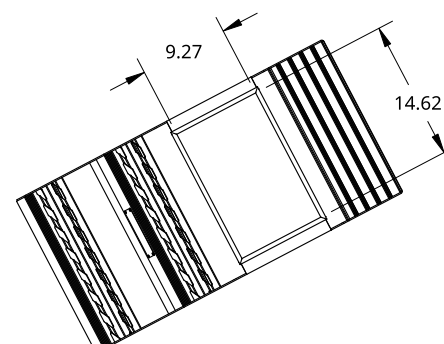


2

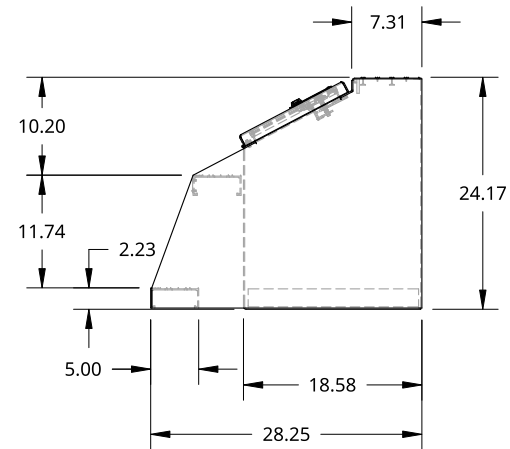
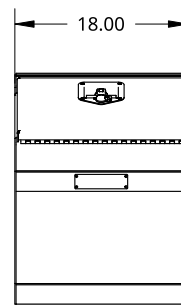
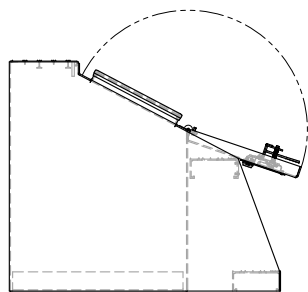
1

T-HANDLE LOCK WITH FLAT LOCKING BLADE



B

B



A

A

<small>THIS DOCUMENT IS THE PROPERTY OF TREBOR MANUFACTURING. ANY UNAUTHORIZED REPRODUCTION WILL BE PROSECUTED TO THE FULL EXTENT OF THE LAW</small>				PART NO. <b>TRSTBPL18</b>	REV. <b>B1</b>
<small>UNLESS OTHERWISE SPECIFIED, DIMENSIONS ARE IN INCHES .XX = ±.1- .XXX = ±.015- .XXXX = ±.005- ANGULAR = ±1° FRACTIONAL = ±1/8</small>		DRAWN SHAWN CROCKER 08/09/2021		STANDARD STEP TOOL BOX - 28.25IN DEEP X 24IN HIGH X 18IN WIDE - X1 T-HANDLE	
THIRD ANGLE PROJECTION 		MATERIAL <b>1/8 ALU MILL</b>		SIZE <b>A</b>	DWG NO. <b>D9764</b>
				SCALE <b>1:20</b>	WEIGHT <b>40.17 LB</b>
				SHEET <b>1 of 1</b>	

2

1