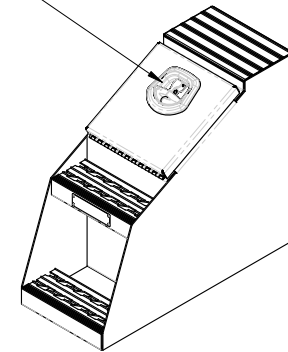
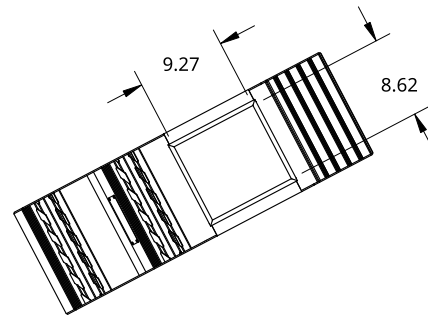


2

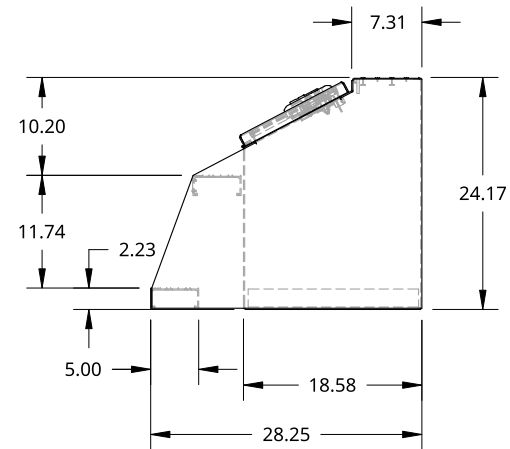
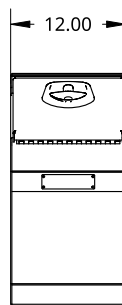
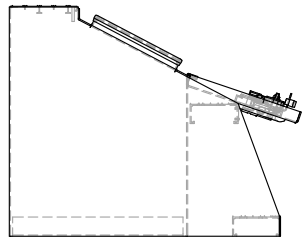
1

LOCKING WHALE TAIL HANDLE



B

B



A

A

|   |  |  |                          |   |                       |
|---|--|--|--------------------------|---|-----------------------|
| <small>THIS DOCUMENT IS THE PROPERTY OF TREBOR MANUFACTURING. ANY UNAUTHORIZED REPRODUCTION WILL BE PROSECUTED TO THE FULL EXTENT OF THE LAW</small>            |  |  |                          | PART NO. <b>TRSTBPL12WT</b>   | REV. <b>A1</b>        |
| <small>UNLESS OTHERWISE SPECIFIED, DIMENSIONS ARE IN INCHES<br/>.XX = ±.1-<br/>.XXX = ±.015-<br/>.XXXX = ±.005-<br/>ANGULAR = ±1°<br/>FRACTIONAL = ±1/8</small> |  | DRAWN BY SHAWN CROCKER<br>CHANGED BY SHAWN CROCKER | 08/09/2021<br>06/27/2023 | STANDARD STEP TOOL BOX - 28.25IN DEEP X 24IN HIGH X 12IN WIDE - X1 WHALE TAIL |                       |
| THIRD ANGLE PROJECTION<br>  |  | MATERIAL<br><b>1/8 ALU MILL</b>                    |                          | SIZE <b>A</b>   | DWG NO. <b>D32179</b> |
|   |  | SCALE <b>1:20</b>                                  | WEIGHT <b>30.47 LB</b>   | SHEET <b>1 of 1</b>   | REV. <b>A</b>         |

2

1