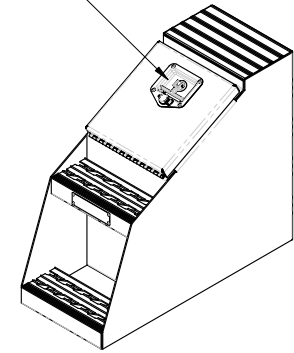
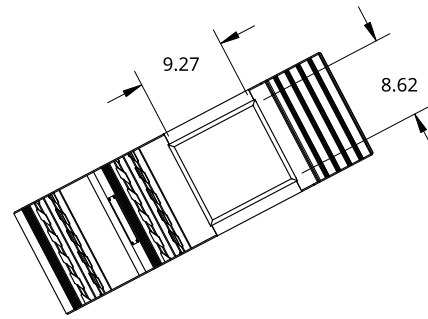


2

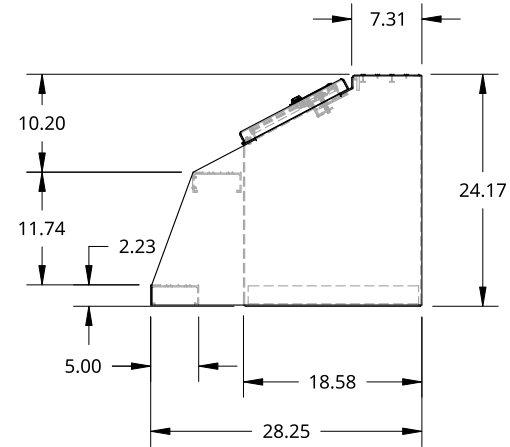
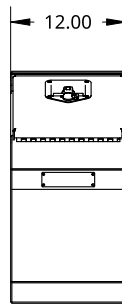
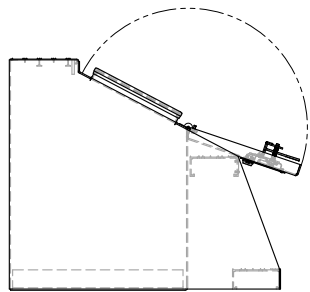
1

T-HANDLE LOCK WITH FLAT LOCKING BLADE





B

B



A

A

<small>THIS DOCUMENT IS THE PROPERTY OF TREBOR MANUFACTURING. ANY UNAUTHORIZED REPRODUCTION WILL BE PROSECUTED TO THE FULL EXTENT OF THE LAW</small>				PART NO. <b>TRSTBPL12</b>	REV. <b>B1</b>
<small>UNLESS OTHERWISE SPECIFIED, DIMENSIONS ARE IN INCHES          .XX = ±.1-          .XXX = ±.015-          .XXXX = ±.005-          ANGULAR = ±1°          FRACTIONAL = ±1/8</small>		<small>DRAWN SHAWN CROCKER 08/09/2021</small>		STANDARD STEP TOOL BOX - 28.25IN DEEP X 24IN HIGH X 12IN WIDE - X1 T-HANDLE	
<small>THIRD ANGLE PROJECTION</small> 		<small>MATERIAL</small> <b>1/8 ALU MILL</b>		SIZE <b>A</b>	DWG NO. <b>D9762</b>
				SCALE <b>1:20</b>	WEIGHT <b>32.05 LB</b>
				SHEET <b>1 of 1</b>	

2

1