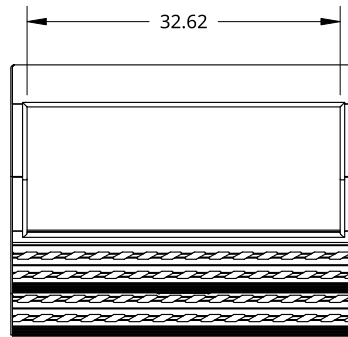


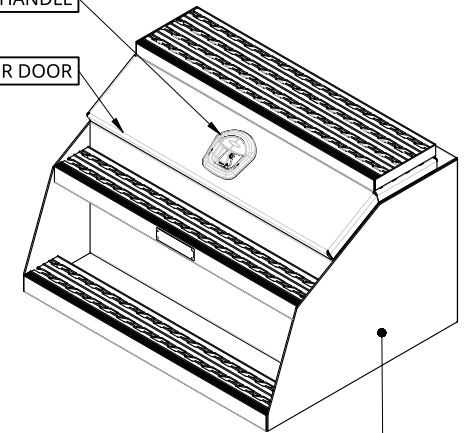
2

1



LOCKING WHALE TAIL HANDLE

1/8 ALU CHECKER DOOR

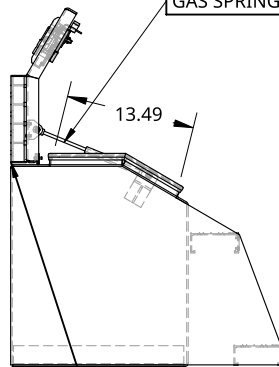


1/8 ALU CHECKER BODY

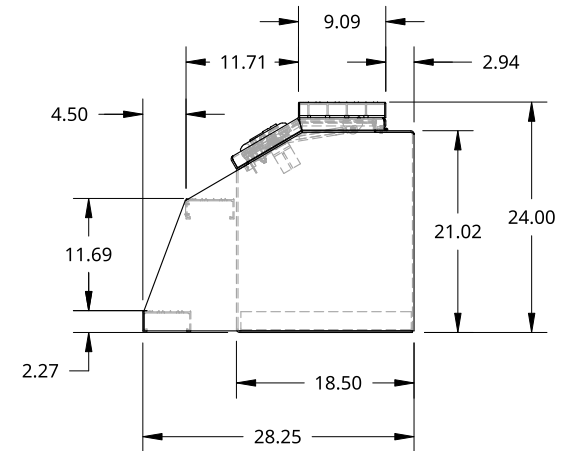
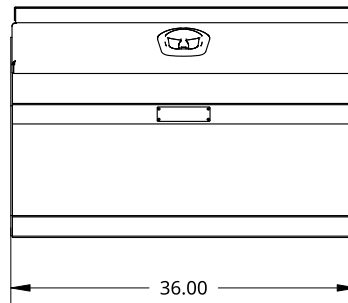
B

B

GAS SPRING DOOR HOLDER



FLUSH WITH BACK OF BOX WHEN OPEN TO 90 DEG



A

A

2

1

<small>THIS DOCUMENT IS THE PROPERTY OF TREBOR MANUFACTURING. ANY UNAUTHORIZED REPRODUCTION WILL BE PROSECUTED TO THE FULL EXTENT OF THE LAW</small>				PART NO. TRSTBBM36WT	REV. B
<small>UNLESS OTHERWISE SPECIFIED, DIMENSIONS ARE IN INCHES</small> <small>.XX = ±.1- ANGULAR = ±1°</small> <small>.XXX = ±.015- FRACTIONAL = ±1/8</small> <small>.XXXX = ±.005-</small>		DRAWN BY SHAWN CROCKER 07/15/2021 CHANGED BY SHAWN CROCKER 07/05/2023	BIG MOUTH STEP BOX - 28.25 X 24 X 36 - X1 WHALE TAIL - 9IN TOP STEP		
THIRD ANGLE PROJECTION 		MATERIAL 1/8 ALU CHECKER		SIZE A DWG. NO. D32697	REV. A
		SCALE 1:20	WEIGHT 72.47 LB	SHEET 1 of 1	