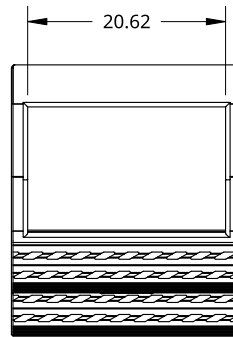


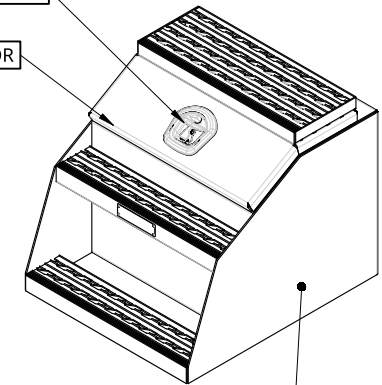
2

1



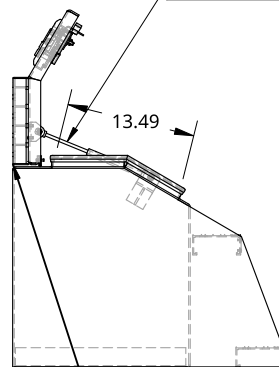
LOCKING WHALE TAIL HANDLE

1/8 ALU CHECKER DOOR

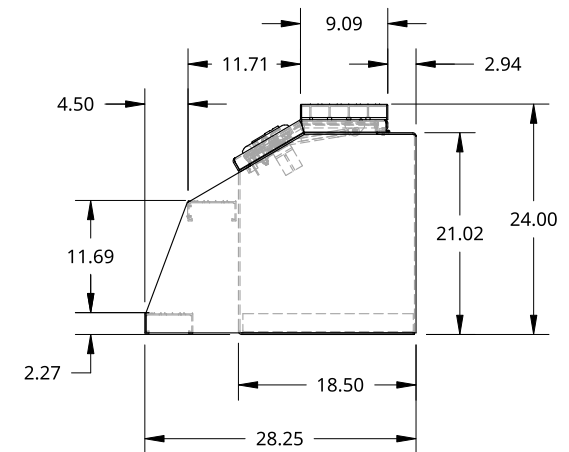
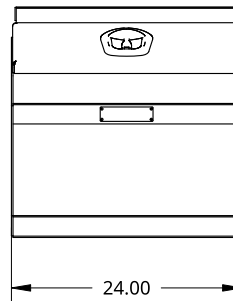


1/8 ALU CHECKER BODY

GAS SPRING DOOR HOLDER



FLUSH WITH BACK OF  
BOX WHEN OPEN TO  
90 DEG



B

A

B

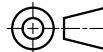
A

THIS DOCUMENT IS THE PROPERTY OF TREBOR  
MANUFACTURING. ANY UNAUTHORIZED REPRODUCTION  
WILL BE PROSECUTED TO THE FULL EXTENT OF THE LAW

UNLESS OTHERWISE SPECIFIED,  
DIMENSIONS ARE IN INCHES

.XX = ±.1-  
.XXX = ±.015- ANGULAR = ±1°  
.XXXX = ±.005- FRACTIONAL = ±1/8

THIRD ANGLE PROJECTION



DRAWN BY SHAWN CROCKER 07/15/2021

CHANGED BY SHAWN CROCKER 07/05/2023

MATERIAL

1/8 ALU CHECKER

PART NO. TRSTBBM24WT REV. B

BIG MOUTH STEP BOX - 28.25 X 24 X 24 - X1 WHALE TAIL - 9IN TOP STEP

SIZE A DWG NO. D32691 REV. A

SCALE 1:20 WEIGHT 53.49 LB SHEET 1 of 1

2

1