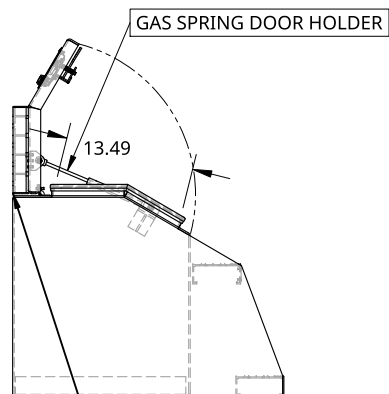
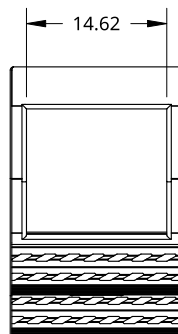
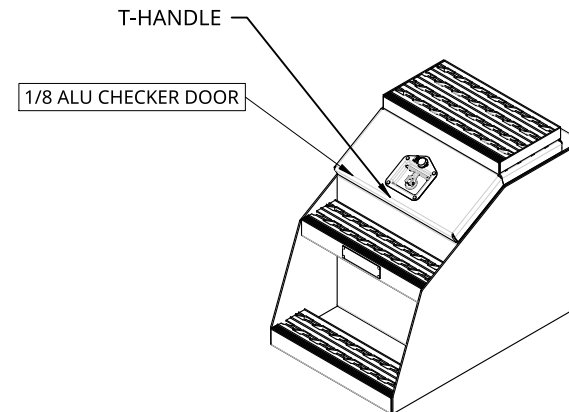


2

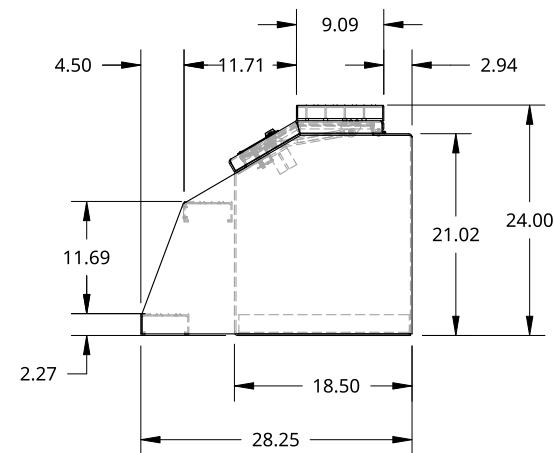
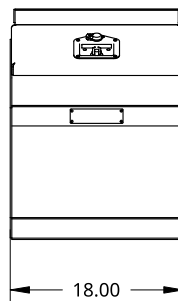
1

B

B



FLUSH WITH BACK OF  
BOX WHEN OPEN TO  
90 DEG



A

A

2

1

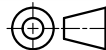
THIS DOCUMENT IS THE PROPERTY OF TREBOR  
MANUFACTURING. ANY UNAUTHORIZED REPRODUCTION  
WILL BE PROSECUTED TO THE FULL EXTENT OF THE LAW

UNLESS OTHERWISE SPECIFIED,  
DIMENSIONS ARE IN INCHES

.XX = ±.1-  
.XXX = ±.015-  
.XXXX = ±.005-

ANGULAR = ±1°  
FRACTIONAL = ±1/8

THIRD ANGLE PROJECTION



DRAWN SHAWN CROCKER 07/15/2021

MATERIAL

1/8 ALU CHECKER

PART NO. TRSTBBM18 REV. A

BIG MOUTH STEP BOX - 28.25 X 24 X 18 - X1 T-HANDLE - 9IN TOP STEP

SIZE A DWG NO. D7941 REV. A

SCALE 1:20 WEIGHT 45.59 LB SHEET 1 of 1